

PERFORMANCE

MANUFACTURING CORPORATION

MIDDLEPORT, NY



PMCKART.COM
716-735-3500
Volume 25

NEW ITEMS!



PM-36MPSPD
DUAL MOTOR MOUNT SLIDER
PLATE ASSY.



PM-48-1E
OFFSET CLAMP
FOR PLASTIC FUEL TANK



PM-119255
1-1/4" RAIL HOPPER
STOPPER



PM-116115K
SEAT WEIGHT BOLT WASHER KIT



PM-99P-1/2-3.75
PRECISION KING PIN BOLT



PM-39STFL-1/4
STEPPED LEFT FRONT HUB



PM-120075-KIT
TITANIUM ROTOR KIT



PM-134000
VELOCITY CLUTCH & DRIVERS



PM-012300
ELEVATE CASSETTE SYSTEM



PM-091000
PERFORMANCE LASER TOE GAGE



PM-091100
PERFORMANCE DIGITAL CAMBER
GAGE



PM-123200
POST MOUNTED ALUMINUM FUEL
TANK

PMCKART.COM
(716) 735-3500

DIRECTORY

| | |
|---------------------------------------|-------------------|
| Elevate Chassis | 3 |
| Bumpers, Nerf Bars, Seat Struts..... | 5-6 |
| Wheel Hubs & Components..... | 7-8 |
| Sprocket Hubs, Gears, & Chains..... | 9-10 |
| Axles, Keys, Lock Collars..... | 11-12 |
| Rear Cassettes..... | 12-13 |
| Brake & Throttle Components..... | 14-16 |
| Spindle Components..... | 17-19 |
| Chassis Components..... | 19 |
| Steering Components..... | 20-22 |
| Motor Parts..... | 23-26 |
| Motor Mounts..... | 26-27 |
| Tools & Accessories..... | 28-34 |
| Tires & Wheels..... | 34-35 |
| Bodies, Seats, Floor Pans..... | 36 |
| Decals & Graphics..... | 37 |
| Policies & Ordering Instructions..... | 38 |
| Slack Apparel & Gift Items..... | Back Cover |



SLACK ELEVATE

Standard Features

- Colors - Flat Black, Clear, Red, Blue & Gray
- Flat Black Surreal Wheel
- Rear Bumper - Standard or Loop
- Steering Post - Standard or Jr.
- Steer Shaft - 22" or 24" Long
- Lightweight & Adjustable Steering Hub
- Machined Spindles
- Pro Series Rod End Kit
- Performance Mfg. Dual Motor Mount
- Billet Aluminum Pedals
- Braided Brake Lines
- Braided Throttle Cable Line
- MCP Liteweight Brake System
- Precision Clamp on Sprocket Hub
- 120 Link Chain
- Aluminum Rotor Guard
- Pro Ultrafree Wheel Hubs With Tapered Wheel Studs
- 1/2" Hardened Wheel Nuts (1/4-28 Thread)(16)
- 2 Mini Locking Collars
- Front & Rear Bearing Shields
- 32" Zinc Coated Axle
- Mini Gear Hub
- Heel Stops for Billet Pedals
- KKP Nose Support Bracket
- T-Shirt

Upgrades Available

- 3 Billet Brake Line Clamps
- Junior Pedal Kit
- Bent Tach Bracket
- Tapered Bearing RF Hub
- Black Aluminum Dzus Button (4)
- Titanium Wheel Nuts (16)
- Motor Mount Flange Nut
- Precision Mini Gear Set - 50-60
- Aluminum Fuel Tank
- Plastic 3 QT. Fuel Tank
- Sprocket Guards Carbon Fiber (8" or 8.5")
- Mini Sprocket Guards Carbon Fiber (8", 6.75", or 7.5")
- Sprocket Guards Aluminum Black (7.75" or 8")
- Mini Sprocket Guards Aluminum Black
- Steering Fairing Smoked
- Steering Fairing Bracket
- Catch Can (Aluminum or Carbon Fiber)
- Fiberglass Body (Black/White/Blue/Red)
- Nose Piece Molding
- Seat Saver Kit
- Seat Weight Bolt/Washer Kit
- Chavous Seat
- Spacer Block Assembly For L Bracket
- 4 Spoke Sprocket Hub
- Motor Mount Dual Slider Plate Assy.
- MPI Wheel & Hub

Champ Kart Standard Features

(All of the Standard Features **Plus**)

- Quick Release Steering Hub Replaces Adjustable Steering Hub
- Seat Belts



slackkarts



SCAN FOR



CURRENT PRICING

BUMPERS, NERF BARS, SEAT STRUTS

BUMPERS & ACCESSORIES

*All Bumpers are powder coated black.

BUMPERS – ELEVATE, PURSUIT, XPECT & REACTOR CHASSIS

PM-119413 Front Bumper - Elevate/Pursuit/Xpect

PM-119044 Rear Bumper with Underslung Bar - Pursuit/Xpect/Reactor

PM-119032 Rear Bumper with Loop - Pursuit/Xpect/Reactor

PM-119200 Rear Floating Bumper with Underslung Bar - Pursuit

PM-119202 Rear Floating Bumper with Underslung Bar - Xpect

PM-119240 Rear Floating Loop Bumper - Xpect

PM-119235 Rear Floating Loop Bumper - Pursuit

PM-119300 Rear Floating Bumper with Underslung Bar - Elevate

PM-119335 Rear Floating Loop Bumper - Elevate

PM-119040 Champ Kart Rear Bumper - Pursuit/Xpect/Reactor

PM-119042 Champ Kart Rear Bumper - Elevate

PM-119418 Champ Kart Front Bumper - Elevate/Pursuit/Xpect

PM-119130 Rear Bumper Mount Assembly - Axiom/Pursuit/Reactor

PM-119132 Rear Bumper Mount Assembly - Xpect

PM-119205 Floating Rear Bumper Mount Assembly .915 dia. - Elevate/Pursuit

PM-119207 Floating Rear Bumper Mount Assembly 1.040 dia. - Xpect

*More bumper parts available online.

BUMPERS – AXIOM CHASSIS

PM-119011 Rear Bumper - Axiom

PM-119033 Rear Bumper with Loop - Axiom

PM-119041 Champ Kart Rear Bumper - Axiom

PM-119411 Front Bumper - Axiom

PM-119416 Champ Kart Front Bumper - Axiom

PM-119130 Rear Bumper Mount Assembly - Axiom/Reactor/Pursuit/SP

HOPPER STOPPERS

PM-119250 1-1/8" Rail Hopper Stopper

PM-119255 1-1/4" Rail Hopper Stopper (All Slack Chassis)

NEW!

NERF BARS & ACCESSORIES

*All Nerf Bars are powder coated black

PM-119720 Left Side Short Nerf Bar for All Slack Chassis - With (3) Dzus Tabs

PM-119721 Left Side Tall Nerf Bar with (4) Dzus Tabs - Champ Kart

PM-119725 Left Side Tall Solid Nerf Bar w/ Weight Bar - With (4) Dzus Tabs

(Approximate Weight 11 lbs) - For All Slack Chassis

PM-119726 Left Side Short Solid Nerf Bar w/ Weight Bar - With (3) Dzus Tabs

(Approximate Weight 11 lbs) - For all Slack Chassis

PM-119740 Right Side Short Nerf Bar with (3) Dzus Tabs - For all Slack Chassis

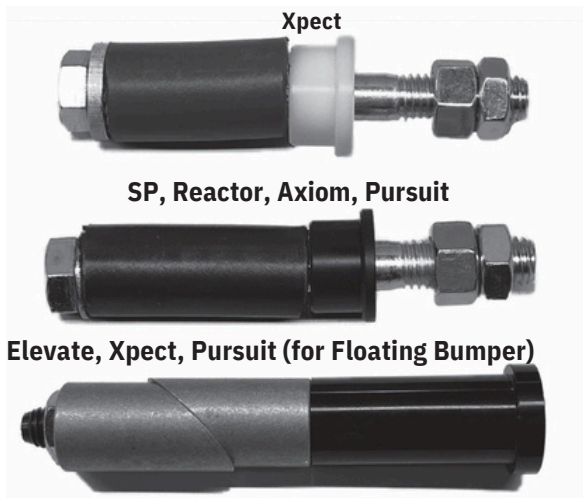
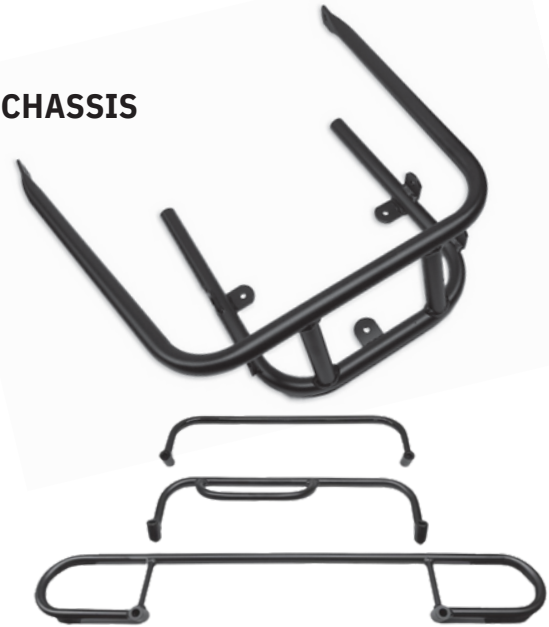
PM-119741 Right Side Tall Nerf Bar with (4) Dzus Tabs - Champ Kart

PM-119810 Plastic Nerf Bar Bushing

PM-24-3/4 Nerf Bar Lock Collar 3/4" Diameter

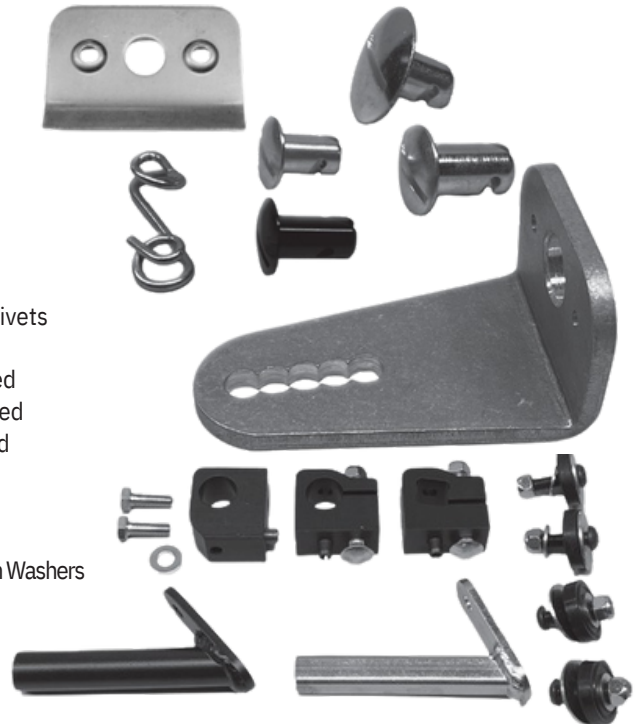
PC-6132 Nerf Bar Pin 1/4" Diameter

* See body fasteners on next page for Dzus Buttons



BODY FASTENERS

- PC-6490** Dzus Spring for 5/16" & 7/16" Dzus Buttons
- PC- 6492** 7/16" dia. Dzus Button (Small .68 dia. Head)
- PC-6493** 7/16" dia. Dzus Button (Large 1" dia. Head)
- PC-6494** 5/16" dia. Dzus Button
- PC-6495** 5/16" dia. Dzus Button Black Anodized Aluminum
- PC-6496** Weld on Dzus Plate for 5/16" dia. Dzus Buttons
- PC- 6499** 1/8" dia. Rivet for Dzus Springs
- PM-119420** Front Bumper Dzus Body Kit - Includes 4 pcs Alum. Body brackets, 4pcs 7/16" Dzus (Large Head) Buttons & Springs, 8pcs 1/8" Rivets
- PM-119450** Universal Aluminum Body Mount Bracket Only
- PM-119460** Universal Aluminum Body Mount Bracket w/ Spring Installed
- PM-119461** Right Side Aluminum Body Mount Bracket w/ Spring Installed
- PM-119462** Left Side Aluminum Body Mount Bracket w/ Spring Installed
- PM-119800** Nerf Bar Dzus Tab Body Kit (For One Nerf Bar)
- Includes 4 pcs 5/16" Dzus Buttons & Springs, 8pcs 1/8" Rivets
- PC-6610** Body Assembly Kit
- Includes 6 each of the following: #10 Screws & Nuts, Finishing Washers & Bottom Washers



SEAT STRUTS & ACCESSORIES

Powder coated black except as noted.

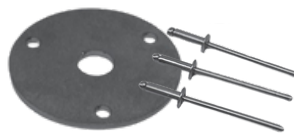
- PM-116010** Right Side Adjustable Seat Strut
- PM-116020** Junior Left Side Adjustable Seat Strut
- PM-116050** Left Side Adjustable Seat Strut
- PM-116060** Left Side Adjustable Seat Strut - Extra Short (for Pro Series Seat)
- PM-116030** Left Side Seat Strut 5"
- PM-116110** 1-1/8" Seat Strut Bottom ONLY (Steel, Unfinished)
- PM-116112** 1-1/4" Seat Strut Bottom ONLY (Steel, Unfinished) **NEW!**
- PM-116114-R** Aluminum Seat Strut Bottom ONLY (Black Anodized)
- PM-116114** Aluminum Seat Strut Bottom with Hardware (Black Anodized)
- PM-116200** 40° 3/4" dia. Round Front Seat Slide (1 Pc.)
- PM-116201** 25° 3/4" dia. Round Front Seat Slide (1 Pc.)
- PM-116202** 40° 5/8" Square Front Seat Slide (1 Pc. Zinc Coated)
- PM-116203** 25° 5/8" Square Front Seat Slide (1 Pc. Zinc Coated)
- PM-116A** Weld on Seat Slider Plate (Unfinished)
- PM-116B** Round Adj. Seat Slide Block 3/4" (Set Screw Style, Black Anodized)
- PM-116C** Round Adj. Seat Slide Block 3/4" (Clamp On Style, Black Anodized)
- PM-116D** Square Adj. Seat Slide Block 5/8" (Clamp On Style, Black Anodized)
- PM-116100** Seat Mount Kit
- PM-116103** Seat Saver Kit (4 Plates & 12 Rivets)
- PC-6220** Seat Rubber Bushing



SHOULDER SUPPORT

Easily mounts on seat to support drivers shoulder and help eliminate driver fatigue. Includes mounting hardware.

- PM-116370** Senior
- PM-116372** Junior



WHEEL HUBS & COMPONENTS

FRONT WHEEL HUB BEARING SHIELDS

Precision machined for zero drag on bearings and easy lubrication in the shop or at the track. Black anodized finish.

PM-126000 5/8" Front Hub Bearing Shield - 1pc

PM-126010 3/4" Front Hub Bearing Shield - 1pc

PM-126015 Tapered Front Hub Bearing Shield - 1pc

PM-126020 Front Hub Bearing Shield Set (5/8 & 3/4)

-Includes 3pcs 5/8" Shield, 1pc 3/4" Shield and 4pcs 1/8" Thick Spacers

PM-126025 Front Bearing Shield Set (5/8)

-Includes 4pcs 5/8" Shield and 4pcs 1/8" Thick Spacers

PM-126030 Front Hub Bearing Shield Set (5/8 & 3/4)

-Includes 2pcs 5/8" Shield, 2pcs 3/4" Shield and 4pcs 1/8" Thick Spacers



PRO ULTRAFREE FRONT WHEEL HUBS

These precision machined billet aluminum hubs are the same as our Pro Ultralite hubs except the bearings are slip fit instead of pressed in for less drag and easy removal for cleaning & lubrication. Includes bearings, bearing spacer, and 1/4" or 5/16" tapered studs & flange nuts. Black anodized finish.

PM-39F-1/4 1/4" Pro Ultrafree Left Front Wheel Hub - 5/8" Bearings

PM-39STFL-1/4 Pro Ultrafree Left Front Stepped Wheel Hub - 5/8" & 3/4" Bearings **NEW!**

PM-39STF-1/4 1/4" Pro Ultrafree Right Front Stepped Wheel Hub - 5/8" & 3/4" Bearings

PM-39STFT-1/4 1/4" Right Front Stepped Hub - 5/8" to 3/4" Tapered Bearing

PM-39F-5/16 5/16" Pro Ultrafree Left Front Wheel Hub - 5/8" Bearings

PM-39STFL-5/16 5/16" Pro Ultrafree Left Front Stepped Wheel Hub - 5/8" & 3/4" Bearings

PM-39STF-5/16 5/16" Pro Ultrafree Right Front Stepped Wheel Hub - 5/8" & 3/4" Bearings



PRO ULTRALITE WHEEL HUBS

Lighter than traditional dual mount hubs. Available with 1/4" or 5/16" holes. Includes tapered studs & flange nuts. Black anodized finish.

PM-38-1/4 Rear Wheel Hub, 1/4-28 Studs

PM-38-5/16 Rear Wheel Hub, 5/16-24 Studs

PM-38DL-1/4 Double Locking Rear Wheel Hub, 1/4-28 Studs

PM-38DL-5/16 Double Locking Rear Wheel Hub, 5/16-24 Studs

PM-39-1/4 Left Front Hub with 5/8" Bearings, 1/4-28 Studs

PM-39-5/16 Left Front Hub with 5/8" Bearings, 5/16-24 Studs

PM-39ST-1/4 Right Front Stepped Hub - 5/8" to 3/4" Bearings & 1/4-28 Studs

PM-39ST-5/16 Right Front Stepped Hub - 5/8" to 3/4" Bearings & 5/16-24 Studs

METRIC WHEEL HUBS

Both front & rear hubs come with 5/16" tapered studs & flange nuts.

PM-39F-17M 17mm Left Front Wheel Hub for 58mm Pattern Wheels

PM-39F-58M 5/8" Left Front Wheel Hub for 58mm Pattern Wheels

PM-39F-17US 17mm Left Front Wheel Hub For US 2.50 Pattern Wheels

PM-39STF-M 5/8-3/4 Stepped Right Front Wheel Hub - For 58mm Pattern Wheels

PM-38-40 40mm Single Locking Rear Wheel Hub - For Metric 58mm & US 2.50 Pattern Wheels

PM-38DL-40 40mm Double Locking Rear Wheel Hub - For Metric 58mm & US 2.50 Pattern Wheels

***Metric Rear Hubs Include Metric Pattern Wheel Register**

TAPERED WHEEL STUDS & NUTS

1/4-28 & 5/16-24 Tapered wheel studs help make changing wheels & gears quicker and easier.

PC-6482 1/4-28 Tapered Wheel Stud (1-1/4" Thread Length)

PC-6483 5/16-24 Tapered Wheel Stud (1-1/4" Thread Length)

PC-2120 1/4-28 Serrated Flange Nut, 7/16" Hex (Zinc)

PC-2121 1/4-28 Smooth Face Flange Nut, 7/16" Hex (Zinc)

PC-2122 1/4-28 Hardened steel Wheel Nut 1/2" Hex (Zinc)

PC-2122A 1/4-28 Wheel Nut - Aircraft Aluminum Large 1/2" Hex

PC-2122T 1/4-28 Titanium Wheel Nut 1/2" Hex

PC-2150 5/16-24 Serrated Flange Nut 1/2" Hex (Zinc)

PC-2151 5/16-24 Smooth Face Flange Nut 1/2" Hex (Zinc)

REPLACEMENT FRONT WHEEL HUB BEARINGS

PC-5150 5/8" Steel Bearing with Rubber Shield

PC-5160 5/8" Steel Bearing with Steel Shield

PC-5165 5/8" Ceramic Bearing with Rubber Shield

PC-5170 3/4" Steel Bearing with Rubber Shield

PC-5180 3/4" Steel Bearing with Steel Shield

PC-5185 3/4" Ceramic Bearing with Rubber Shield

PC-5167 17mm Steel Bearing with Rubber Shield

PC-5187 3/4" Tapered Roller Bearing with Outer Ring



SPROCKET HUBS, GEARS, & CHAINS

4 SPOKE PRECISION SPROCKET HUBS & GEARS

4 Spoke Sprocket hubs (floating or clamp-on) come complete with tapered studs & flange nuts. Left and right gears snap together for quick, easy, accurate installation. BA= Black Anodized

PM-92UL Individual Gears

-Specify number of teeth when ordering – 54 through 70 *BA

PM-15UL 1-1/4" - 4 Spoke Floating Sprocket Hub *BA

PM-15ULREBUILD Rebuild Kit for PM-15UL Floating Sprocket Hub

PM-15ULS 1-1/4" - 4 Spoke Clamp On Style Sprocket Hub *BA

PM-77ULC 8.5" Carbon Fiber 4 Spoke Gear Guard

PM-77ULC-8 8" Carbon Fiber 4 Spoke Gear Guard

PM-77AF-8 8" Aluminum 4 Spoke Gear Guard *BA

PM-77AF 8.5" 8.5" Aluminum 4 Spoke Gear Guard *BA

PM-77ALWF 8.5" Aluminum 4 Spoke Gear Guard with Lightening Holes *BA



MINI GEARS & HUBS

MINI GEARS & HUBS

PM-92M Individual Mini Gears (40-64)

Mini Gears for the Mini Gear Hub. Left & right sprockets snap together for quick, easy and accurate installation on sprocket hub.

Available in 40 through 64 tooth - Black Anodized.

Mini Gear hubs come w/ Tapered wheel studs and Flange Nuts.

PM-15M 1-1/4" Hub for the Mini Gear System

PM-15M-30 30mm Hub For the Mini Gear System

PM-15M-40 40mm Hub For the Mini Gear System

PM-15M-50 50mm Hub For the Mini Gear System

MINI GEAR GUARDS

*All guards are black anodized except the carbon fiber

PM-77MA-6.75 6.75" Aluminum Mini Gear Guard (40-53 Gears)

PM-77MA-8 8" Aluminum Mini Gear Guard (40-64 Gears)

PM-77MC-6.75 6.75" Carbon Fiber Gear Guard (40-53 Gears)

PM-77MC-7.50 7.50" Carbon Fiber Gear Guard (40-60 Gears)

PM-77MC-8 8" Carbon Fiber Gear Guard (40-60 Gears)

PM-77MA50-6.75 6.75" Aluminum Mini Gear Guard for 50 mm Hub (41-53 Gears)

PM-77MA50-8 8" Aluminum Mini Gear Guard for 50 mm Hub (54-64 Gears)



SPROCKET HUBS, GEARS, GUARDS & CHAINS

SPROCKET HUBS

Precision machined from Billet aluminum. Tapered Studs & flange nuts included. Black anodized finish.

PM-15 1-1/4" dia. Clamp On Sprocket Hub

PM-15HD 1-1/4" dia. Clamp On Heavy Duty Sprocket Hub

PM-15FS 1-1/4" dia. Floating Sprocket Hub with Axle Collars

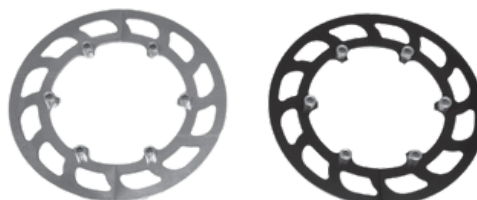
PM-15-40 40mm dia. Clamp On Sprocket Hub



SKIP TOOTH SPROCKET

These lightweight aluminum gears come in 58 through 68 tooth sizes for a #35-pitch chain. Teeth are CNC machined for extreme accuracy and minimal runout. Gold anodized finish.

PM-92 Specify number of teeth when ordering



GEAR GUARDS

Gear guards comes complete with spacers installed on one side. Includes guards for both sides of the sprocket hub. 4 pieces total. BA= Black Anodized

PM-77 8.5" dia. Aluminum for 6 Spoke Sprocket Hub *Unanodized

PM-77A 8.5" dia. Aluminum for 6 Spoke Sprocket Hub *BA

PM-77AF 8.5" dia. Aluminum for 4 Spoke Sprocket Hub *BA

PM-77A-8 8" dia. Aluminum for 6 Spoke Sprocket Hub *BA

PM-77AF-8 8" dia. Aluminum for 4 Spoke Sprocket Hub *BA

PM-77ALW 8.5" dia. Aluminum Pro Ultralite with Lightening Holes

-For 6 Spoke Sprocket Hub *BA

PM-77ALWF 8.5" dia. Aluminum Pro Ultralite with Lightening Holes

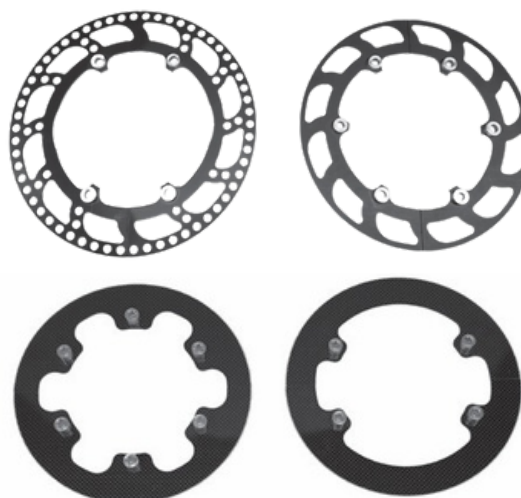
-For 4 Spoke Sprocket Hub *BA

PM-77C 8.5" dia. Carbon Fiber for 6 Spoke Sprocket Hub

PM-77ULC 8.5" dia. Carbon Fiber for 4 Spoke Sprocket Hub

PM-77ULC-8 8" dia. Carbon Fiber for 4 Spoke Sprocket Hub

PM-77C-8 8" dia. Carbon Fiber for 6 Spoke Sprocket Hub



CHAINS

PC-6400 RLV Xtreme Chain #35 Gold on Black (106 Links)

PC-6405 RLV Xtreme Chain #35 Gold on Gold (106 Links)

PC-6406 RLV Xtreme Chain #35 Gold on Gold (120 Links)

PC-6407 EK Silver Pro Chain #35 (120 Links)

PC-6408 RLV Reaper Chain #35 Gold on Black (120 Links)

PC-6360 Chain Break Tool #35 Chain



CHAIN GUIDE SYSTEM

Accurately guides the chain while allowing for the removal of standard gear guards to reduce rotating weight.

Includes all mounting hardware and short 1/4-28 wheel studs with nuts.

PM-128000 Chain Guide System



AXLE ASSEMBLIES

AXLE ASSEMBLIES

Yellow Zinc coated. This axle is ready to drop right in to the kart with the Elevate, Pursuit/Xpect style cassettes. All you need to do is switch over the gear guard and locking collars. Comes completely assembled.

32" Zinc Assemblies

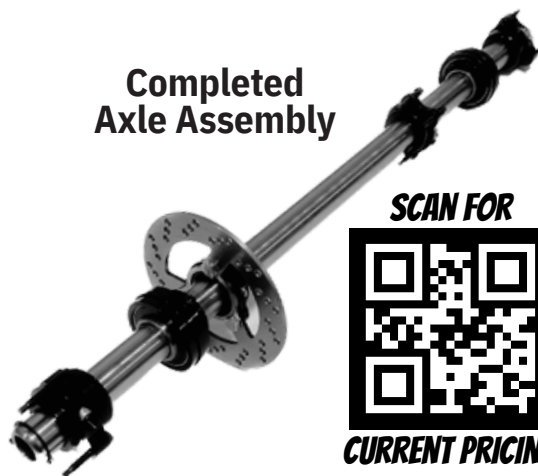
- PM-18-32Z-ASSY-4** 32" Assembly
 - With 4 spoke hub and small bearings
- PM-18-32Z-ASSY-4BB** 32" Assembly
 - With 4 spoke hub and big right rear bearing
- PM-18-32Z-ASSY-M** 32" Assembly
 - With mini gear hub and small bearings
- PM-18-32Z-ASSY-MBB** 32" Assembly
 - With mini gear hub and big right rear bearing
- PM-18-32Z-ASSY-M-TITANIUM** 32" Assembly
 - With mini gear hub, small bearings & titanium rotor

34" Zinc Assemblies

- PM-18-34Z-ASSY-4** 34" Assembly
 - With 4 spoke hub and small bearings
- PM-18-34Z-ASSY-4BB** 34" Assembly
 - With 4 spoke hub and big right rear bearing
- PM-18-34Z-ASSY-M** 34" Assembly
 - With mini gear hub and small bearings
- PM-18-34Z-ASSY-MBB** 34" Assembly
 - With mini gear hub and big right rear bearing

32" Zinc Thin Wall Assemblies

- PM-18-32ZTW-ASSY-4** 32"Thin Wall Assembly
 - With 4 spoke hub and small bearings
- PM-18-32ZTW-ASSY-4BB** 32"Thin Wall Assembly
 - With 4 spoke hub and big right rear bearing
- PM-18-32ZTW-ASSY-M** 32"Thin Wall Assembly
 - With mini gear hub and small bearings
- PM-18-32ZTW-ASSY-MBB** 32"Thin Wall Assembly
 - With mini gear hub and big right rear bearing
- PM-18-32ZTW-ASSY-M-TITANIUM** 32" Assembly
 - With mini gear hub, small bearings & titanium rotor



AXLES

STEEL AXLES

All keys offset for balance. Centerless ground for exceptional accuracy with snap ring ends. Uses 3/16" x 1/4" keys (sold separately). All axles are 1-1/4 O.D. Black oxide finish except as noted.

- PM-18-32Z** 32" Long 3/16" Wall Tubular Steel Axle
 - For Elevate, Pursuit, Xpect, and Axiom, Yellow Zinc
- PM-18-32ZTW** 32" Long 1/8" Thin Wall Chromoly Axle
 - For Elevate, Pursuit, Xpect, and Axiom, Yellow Zinc
- PM-18-34Z** 34" Long 3/16" Wall Tubular Steel Axle
 - For Elevate, Pursuit, Xpect, and Axiom, Yellow Zinc
- PM-18-34ZTW** 34" Long 1/8" Thin Wall Chromoly Axle
 - For Elevate, Pursuit, Xpect, and Axiom, Yellow Zinc
- PM-18-32 1/2** 32-1/2" Long 3/16" Wall Tubular Steel Axle
- PM-18-32 1/2 TW** 32-1/2" Long 1/8" Thin Wall Chromoly Axle
- PM-18-34** 34" Long 3/16" Wall Tubular Steel Axle
- PM-18-35** 35" Long 3/16" Wall Tubular Steel Axle
- PM-18-35TW** 35" Long 1/8" Thin Wall Chromoly Axle
- PM-18-36** 36" Long 3/16" Wall Tubular Steel Axle
- PM-18-38** 38" Long 3/16" Wall Tubular Steel Axle
- PM-18-40** 40" Long 3/16" Wall Tubular Steel Axle
- PC-6170** Axle Snap Ring (Sold Individually)

Axle Spacers

PM-18SP - 1-1/4 ID. Black Anodized
1/8", 1/4", 1/2", 3/4", 1" wide x 1-1/4" I.D.



AXLES, KEYS, & LOCK COLLARS

AXLE KEY SETS (Black Oxide)

PM-18KS Steel Axle Key Set (34"-40" Axles)

PM18KS-32 Steel Axle Key Set (32" Axle)

PM-18KS-32 1/2 Steel Axle Key Set (32-1/2" Axle)

PM-18KS-34 Steel Axle Key Set (34" Axle)

DRILLED AXLE KEY SETS (Yellow Zinc)

PM-18DKS Drilled Steel Axle Key Set (34"-40" Axles)

PM-18DKS-32 Drilled Steel Axle Key Set (32" Axle)

LOCKING COLLARS

1-1/4" Locking Collars & stiffeners are black anodized

1" Fuel Tank Collars are unanodized

PM-48A 1-1/4" Axle Locking Collar, Black Anodized

PM-48M 1-1/4" Mini Axle Locking Collar, Black Anodized (No Keyway Slot)

PM-48S 1-1/4" ID x 2-1/2" Long Axle Stiffener, Black Anodized

PM-48-40 40mm Axle Locking Collar, Black Anodized

PM-48-1 1" Locking Collar for Plastic Fuel Tank with M8 Thread

PM-48-1E 1" Offset Locking Collar for Plastic Fuel Tank With M8 Thread



REAR CASSETTES

REAR AXLE CASSETTES

PM-12-3/8 with 3/8-16 Bolt Hole Pattern for Small Bearing

PM-12SP Split with 3/8-16 Bolt Hole Pattern for Small Bearing

PM-12PHE Split with 5/16-18 Bolt Hole Pattern for Small Bearing

PM-12SM Split With 5/16-18 & 3/8-16 Bolt Hole Pattern for Big Bearing

PM-12-40-10 Split with 10mm Bolt Hole Pattern for 40mm Bearing

PM-12SB Rear Axle Cassette System for a Small 206 Bearing for Reactor & Avenger Chassis: (This Cassette is for Both LH & RH. Insert sleeve not included)



PERFORMANCE ELEVATE, PURSUIT & XPECT REAR AXLE CASSETTE SYSTEM

Cassettes do not include bearing insert sleeve. Cassettes, Sleeves & brackets are black anodized.

PM-012100 Right Rear Axle (Lead) Cassette for Small Bearing (Pursuit/Xpect)

PM-012110 Right Rear Axle(Cross) Cassette for Big Bearing (Pursuit/Xpect)

PM-012200 Left Rear Axle (Cross) Cassette for Small Bearing (Pursuit/Xpect)

PM-012300R Right Rear Axle (Lead) Cassette for Small Bearing (Elevate)

PM-012300L Left Rear Axle (Cross) Cassette for Small Bearing (Elevate)

PM-012004 Rear Cassette Bearing Insert Sleeve for Small Bearing

PM-12HT9B Rear Cassette Bearing Insert Sleeve for Big Bearing

PM-12SL10P Rear Cassette Pill. 3 Required per Kart (Pursuit/Xpect)

PM-021200 Left Hand Caliper Bracket for 6" Rotor

PM-021201 Right Hand Caliper Bracket for 6" Rotor

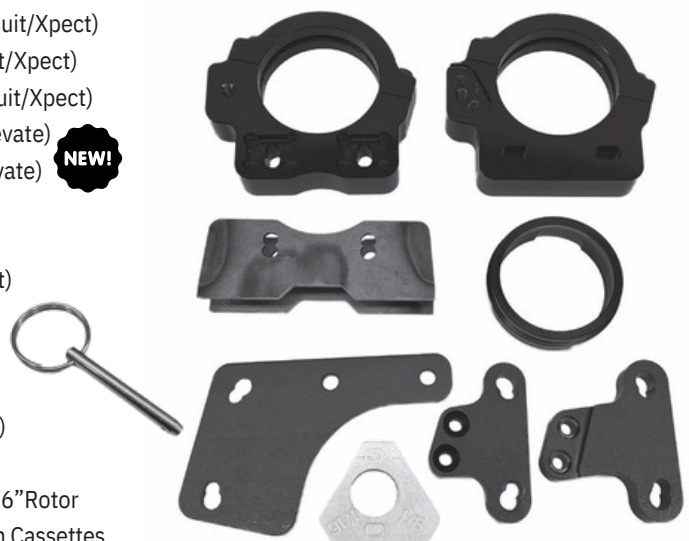
PM-021202 Left Hand Caliper Bracket for 7" Rotor

PM-103100 Left or Right Bearing Hanger (Welded for Pursuit/Xpect)

PM-103300R Left or Right Bearing Hanger (Welded for Elevate)

PM-021204 Right & Left Hand Hanger Mounted Caliper Bracket For 6" Rotor

PC-6730 Quick Release Pin for Elevate cassettes. 3 Required for Both Cassettes



REAR CASSETTES

PERFORMANCE AXIOM REAR AXLE CASSETTE SYSTEM

Cassettes do not include bearing insert sleeve. Cassettes, Sleeves & brackets are black anodized.

- PM-12SL10** Rear Axle Cassette fits Left & Right Side
- PM-12HT9B** Rear Cassette Bearing Insert Sleeve for Big Bearing
- PM-12HT9BS** Rear Cassette Bearing Insert Sleeve for Small Bearing
- PM-12SL10P** Rear Cassette Pill (3 Required per Kart)
- PM-12SL10PC** Rear Cassette Pill Covers (3 Required per Kart)
- PM-21SL6A** Left Hand Caliper Bracket for 6" Rotor
- PM-21SL6R** Right Hand Caliper Bracket for 6" Rotor
- PM-21SL7** Right Hand Caliper Bracket for 7.1" MCP Rotor
- PM-103SL10L** Left Side Bearing Hanger (Welded Complete)
- PM-103SL10R** Right Side Bearing Hanger (Welded Complete)



REAR ADJUSTABLE AXLE CASSETTES

Allows you to adjust cross-weight on left side or axle lead on right side in marked increments with the same part. Manufactured with a dovetail slide for added strength. Fits standard hanger and standard axle bearing. Includes all mounting hardware. Black anodized finish.

- PM-35** with 3/8-16 Mounting Hardware for Small Bearing
 - PM-35SP** Split with 3/8-16 Mounting Hardware for Small Bearing
 - PM-35PHE** Split with 5/16-18 Mounting Hardware for Small Bearing
 - PM-35SM** Split with 3/8-16 Mounting Hardware for Big Bearing
 - PM-35-40L10M** with 10mm Mounting Hardware for 40mm Bearing
- Does not include adjust lead.



REAR AXLE BEARINGS

- PC-5190** Small RBI Free Spinning Steel Rear Axle Bearing (1-1/4" ID x 2.440" OD)
- PC-5192** Small Free Spinning Ceramic Rear Axle Bearing (1-1/4" ID x 2.440" OD)
- PC-5197** Big RBI Free Spinning Steel Rear Axle Bearing (1-1/4" ID x 2.835" OD)

REAR BEARING SHIELD SETS

Allows easy cleaning and lubrication of axle bearings with axle still on the kart. Sold in sets of two. Black anodized finish.

- PM-56A** 1.590 Race O.D. (fits FYH Small Bearing)
- PM-56B** 1.605 Race O.D. (Fits NTN Small Bearing)
- PM-56C-1.585** 1.585 Race O.D. (fits Old Style RBI & Ceramic Small Bearing)
- PM-56C-1.605** 1.605 Race O.D. (fits New Style RBI Small Bearing)
- PM-56D** 1.868 Race O.D. (fits FYH Big Bearing)
- PM-56E** 1.891 Race O.D. (fits Sealmaster Big Bearing)
- PM-56F** 1.842 Race O.D. (fits RBI Big Bearing)
- PM-56G** 1.842 Race O.D. (fits PRC Ceramic Big Bearing)



BRAKE & THROTTLE COMPONENTS

PEDAL GRIP SETS

Black anodized finish.

PM-85-3/8 3/8" dia. ID

PM-85L-3/8 3/8" dia. ID with Custom Logo

PM-85L-3/8/FS 3/8" dia. ID Fast/Slow Grips

PM-85-1/2 1/2" dia. ID

PM-85L-1/2 1/2" dia. ID with Custom Logo

PM-85L-1/2/FS 1/2" dia. ID Fast/ Slow Grips

Note: Custom logos available upon request, 30 piece minimum. Artwork charge will apply. Please call for pricing.



BRAKE & GAS PEDALS

Powder coated black.

PM-117010 30° Brake Pedal

PM-117015 30° Junior Brake Pedal

PM-117030 30° Gas Pedal

PM-117035 30° Junior Gas Pedal

PM-117011 60° Brake Pedal

PM-117031 60° Gas Pedal

Note: Junior pedals are approximately 1" shorter than standard pedals.



BILLET BRAKE & GAS PEDALS

Billet aluminum brake and gas pedals allow for optimal adjustment, increased driver comfort, and less fatigue. The optional heel rests allow the driver to hold themselves in the seat which makes for steadier braking and acceleration. Available with 3/4" or 1" diameter mounts to mount on front bumper or front bumper slugs. Anodized black.

PM-117200V1 Tall Style Brake and Gas Pedal Assembly (for 1" Tube with 2 heel rests)

PM-117200V2 Short Style Brake and Gas Pedal Assembly (for 1" Tube with 2 Heel Rests)

PM-117201V1 Tall Style Brake and Gas Pedal Assembly (for 3/4" Tube with 2 Heel Rests)

PM-117201V2 Short Style Brake and Gas Pedal Assembly (for 3/4" Tube with 2 Heel Rests)

PM-117202V1 Tall Brake and Gas Pedal Assembly (for 1" Tube - No Heel Rests)

PM-117202V2 Short Brake and Gas Pedal Assembly (for 1" Tube - No Heel Rests)

PM-117203V1 Tall Brake and Gas Pedal Assembly (for 3/4" Tube - No Heel Rests)

PM-117203V2 Short Brake and Gas Pedal Assembly (for 3/4" Tube - No Heel Rests)

PM-117204 Heel Rest Assembly (Pair of 2 for 1" Tube)

PM-117205 Heel Rest Assembly (Pair of 2 for 3/4" Tube)

PM-117218V1 Tall Billet Pedal Only (1)

PM-117218V2 Short Billet Pedal Only (1)

PM-117210 Billet Pedal Foot Peg Only (1)



JUNIOR PEDAL KITS

Includes brake and throttle rods. Pedals not included (listed below). Pursuit & Xpect style is available in 3/4" mount to mount on front bumper or 1" mount to mount on front bumper slugs. Elevate style works with the billet pedals listed above (not included). Will work on other Chassis, but may require some modifications.

PM-095200 Slack Pursuit & Xpect System (Mounts on 1" Bumper Slugs)

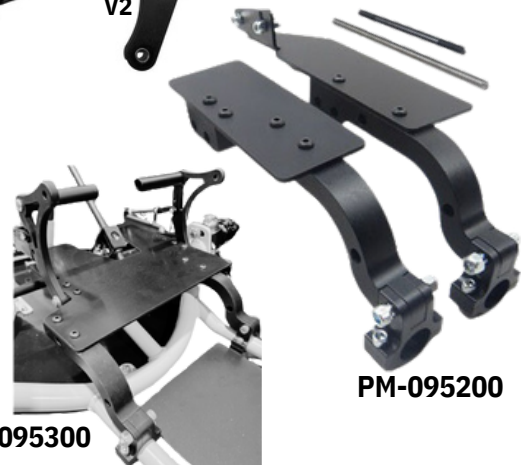
PM-095202 Slack Pursuit & Xpect System (Mounts on 3/4" Bumper)

PM-095300 Slack Elevate (Mounts on 1" Bumper Slugs)

PM-117010 30° Brake Pedal (for Use w/Pursuit/Xpect System)

PM-117030 30° Gas Pedal (for use w/Pursuit/Xpect System)

PM-100110 Throttle Bracket, Bolt on Style, Zinc Coated



PM-095300

PM-095200

BRAKES

- PM-122010 MCP HI Performance Billet Master Cylinder (18875)
- PM-122020 MCP HI Performance Mini Lite Master Cylinder (750B)
- PM-122030 MCP Billet Shim Caliper (181375)
- PM-122040 MCP Mini Lite Caliper (1125B)
- PM-122050 1/8" thick x 7.1" MCP Rotor
- PM-122060 1/8" thick x 6" MCP Rotor
- PM-122070 1/8" thick x 6" Engenetic Rotor
- PM-122071 3/16" thick x 6" Engenetic Rotor
- PM-122074 3/16" thick x 6" Engenetic Rotor with Lightening Holes
- PM-122075 3/16" thick x 6" Engenetic Titanium Rotor
- PM-122075KIT Titanium Rotor Kit for Liteweight System(Rotor, Pads, Bolts)
- PM-122076KIT Titanium Rotor Kit for Minilite System(Rotor, Pads, Bolts)
- PM-122080 1-1/4" dia. Hub for 7.1" MCP Rotor
- PM-122090 1-1/4" dia. Hub for 6" MCP Rotor
- PM-122100 1-1/4" dia. Hub for 6" Engenetic Rotor
- PM-122300 1-1/4" Floating Brake Hub with 6" Rotor
- PM-122110 MCP Replacement Brake Pad (1375 Series)
- PM-122112 Replacement Titanium (Green) Brake Pad (1375 Series)
- PM-122120 MCP Mini-Lite Replacement Brake Pad (1125 Series)
- PM-122112 Replacement Titanium (Green) Brake Pad (1125 Series)
- PM-122132 Billet Master Cylinder Cap. Black Anodized Finish
- PC-6359 11 oz. Bottle of Dot 5 Brake Fluid.
- PC-1232D Brake Rotor Bolt w/ Drilled Head for Engenetic Hub
- PC-1232T Titanium Brake Rotor Bolt w/ Drilled Head for Engenetic Hub



BRAKE LINES, THROTTLE CABLES & ACCESSORIES

- PM-122200 3/16" Brake Line/ Throttle Cable Liner - 36" Long Nylon
- PM-122228 28" Braided Throttle Cable Liner
- PM-122232 32" Long Braided Brake Line
- PM-122232-45 32" Long Braided Brake Line w/ 45° End (Elevate)
- PM-122233 33" Long Braided Brake Line
- PM-122233-45 33" Long Braided Brake Line w/ 45° End (Elevate)
- PC-6570 Throttle Cable
- PC-6180 3/16" x 1/8" NPT Brass Compression Fitting Only
- PC-6185 3/16" x 1/8" NPT AN Compression Fitting Only (Braided Lines)
- PM-107 Throttle Cable Pull Adapter
- PM-107A Hex Throttle Cable Adapter. Black Anodized Finish
- PC-6160 Throttle Spring
- PC-6615 1/4" dia. Throttle Rod Lock Collar, Zinc Coated
- PM-102D Male Throttle Clevis. Wrench Included
- PM-102E Female Throttle Clevis. Wrench Included
- PC-2112 1/4-28 Thin Nyloc Lock Nut



BRAKE LINE CLAMPS

These lightweight aluminum clamps mount on the frame rail and firmly hold the brake lines where you want them, eliminating the need for unreliable zip ties while not reducing ground clearance. Also works well for throttle cable and tach leads. Anodized black.

- PM-122400 1-1/4" Diameter Brake Line Clamp Assembly
- PM-122401 1-1/8" Diameter Brake Line Clamp Assembly
- PM-122402 1" Diameter Brake Line Clamp Assembly



CALIPER BRACKETS

Black anodized finish.

PM-21 for MCP-1375 Lightweight Caliper with 6" Rotor or 7.1" Rotor

-Fits standard rear axle cassette with 3/8-16" bolt hole pattern

PM-21ML for MCP - 11/4 Mini-Lite Caliper with 6" Rotor

-Fits standard axle cassette with 3/8-16 bolt hole pattern

PM-21SL6A Left Hand For Slack Axiom Chassis (6" Rotor)

PM-21SL6R Right Hand for 2013+ Slack Axiom Chassis (6" Rotor)

PM-21SL7 Left Hand For Slack Axiom Chassis (7.1" Rotor)

PM-021200 Left Hand for Elevate, Pursuit & Xpect (6" Rotor)

PM-021201 Right Hand for Elevate, Pursuit & Xpect for (6" Rotor)

PM-021202 Left Hand for Elevate, Pursuit & Xpect (7.1" Rotor)

PM-021204 Right & Left Hand for Elevate, Pursuit & Xpect
(Hanger Mounted For 6" Rotor)



BRAKE & THROTTLE RODS

1/4-28 thread on each end with black oxide finish.

Please specify length when ordering.

Available Lengths: 9-1/4, 10, 10-1/2, 11, 11-1/2, 11-3/4, 12, 13-1/4, 13-3/4, 14, 14-1/4, 14-1/2, 14-3/4, 15, 15-1/4, 15-1/2, 16, 16-1/2, 17, 17-1/2, 17-1/4, 18, 18-1/2, 19, 20".

*Special sizes available upon request, 50 piece. minimum.

PM-17 Brake & Throttle Rod



ALUMINUM CLEVIS

This great looking black anodized clevis has female right hand 3/4-28 threads that allow you to adjust the brake and throttle rods to your personal needs. Includes clevis pin and cotter pin.

PM-33 Aluminum Clevis

PC-6130 Clevis Pin

PC-6149 Cotter Pin 1/16x1/2



SAFETY CLIPS

PC-6190 Large Safety Clip

PC-6200 Small Safety Clip



ROTOR GUARDS

PM-105SB Steel Slotted. Black Powder Coated Finish

PM-105A Aluminum Slotted. Black Anodized Finish



SPINDLE COMPONENTS

PURSUIT PRECISION SPINDLES

- PM-124310** 10° LS Spindle Extra Cross
- PM-124320** 5° LS Spindle Indoor/Asphalt
- PM-124325** 8° LS Straight Spindle
- PM-124327** 8° LS Stepped Spindle
- PM-124330** 14° RS Stepped Spindle
- PM-124340** 14° RS Stepped Spindle Extra Cross
- PM-124350** 10° RS Stepped Spindle Indoor/Asphalt



SLACK SPINDLES

1/2" Bearings and Spacers, 1-1/2" long Spindle Barrels. Powder coated flat black

- PM-124030** 8° LS Spindle
- PM-124040** 10° LS Spindle
- PM-124041** 15° LS Spindle
- PM-124050** 10° LS Spindle Extra Cross
- PM-124060** 5° LS Spindle
- PM-124120** 10° RS Straight Spindle
- PM-124130** 10° RS Stepped Spindle
- PM-124140** 10° RS Stepped Spindle Extra Cross
- PM-124150** 15° RS Stepped Spindle Extra Cross



ELEVATE PRECISION SPINDLES

- PM-124410** 10° LS Stepped Spindle Extra Cross
- PM-124420** 5° LS Stepped Spindle Indoor/Asphalt
- PM-124430** 17° RS Stepped Spindle Extra Cross
- PM-124440** 17° RS Stepped Spindle Indoor/Asphalt

SPINDLE BEARINGS

- PC-5140** 1/2" Spindle Bearing (1/2" ID x 1.125 OD x .375 Wide)
- PC-5130** 7/16" Spindle Bearing (7/16" ID x 1.125 OD x .375 Wide)
- PC-5131** 7/16" Spindle Bearing (7/16" ID x .906 OD x .312 Wide)

SPINDLE PARTS

- PM-87-1 1/2** 1-1/2" Long Spindle Barrel
- PM-87-1 5/8** 1-5/8" Long Spindle Barrel
- PM-87-1 3/4** 1-3/4" Long Spindle Barrel
- PM-87-1 7/8** 1-7/8" Long Spindle Barrel
- PM-87-2** 2" Long Spindle Barrel
- PM-89A** 10° Right Straight Spindle Axle
- PM-89B-10** 10° Right Stepped Spindle Axle
- PM-89B-12** 12° Right Stepped Spindle Axle
- PM-89B-15** 15° Right Stepped Spindle Axle
- PM-89C-5** 5° Left Straight Spindle Axle
- PM-89C-8** 8° Left Straight Spindle Axle
- PM-89C-10** 10° Left Straight Spindle Axle
- PM-98** 1/4" Thick Steering Arm
- PM-52C** Aluminum Spacer for 1-1/2" Spindle Barrel
- PM-52F** Aluminum Spacer for 1-3/4" Spindle Barrel
- PM-52E** Aluminum Spacer for 1.63" Spindle Barrel
- PM-52G** Aluminum Spacer for 1.88" Spindle Barrel
- PM-52H** Aluminum Spacer for 2" Spindle Barrel

NOTE: All parts are unfinished.

ALUMINUM SPINDLE NUT SET

Sold in sets of two. 50% lighter than traditional steel castle nuts. Finger grooves eliminate the need for wrenches when removing hubs. Black anodized finish.

- PM-83** 5/8-18 Spindle Nut Set
- PM-83M16** M16 Metric Spindle Nut Set



ROD ENDS & JAM NUTS Zinc Coated

- PC-5200** 3/8-24 RH Rod End
- PC-5202** 3/8-24 RH Pro Series Rod End
- PC-2180** 3/8-24 RH Jam Nut
- PC-5210** 3/8-24 LH Rod End
- PC-5212** 3/8-24 LH Pro Series Rod End
- PC-2190** 3/8-24 LH Jam Nut
- PC-5230** 1/2-20 RH Rod End
- PC-5230D** 1/2-20 RH Rod End - Drilled for Safety Clip
- PC-5232D** 1/2-20 RH Pro Series Rod End - Drilled for Safety Clip
- PC-5234D** 1/2-20 2" Long RH Pro Series Rod End - Drilled for Safety Clip
- PC-2210** 1/2-20 RH Jam Nut
- PC-2221** 1/2" Slotted Camber Nut (Thin)
- PC-2220** 1/2" Slotted Camber Nut (Thick)

NOTE: Pro Series Rod Ends feature a high strength injection molded NYLOY® race that provides a slight preload for smooth operation, increased performance, and acts as a wiping seal to keep dirt & foreign materials away from the bearing surface. Yellow Zinc Coated.



CASTER L BRACKETS (for 1/2" King Pin Bolts)

- PM-19SLLPURSUIT** Left Caster L Bracket for Pursuit Chassis w/ Slack Logo
- PM-19SLRPURSUIT** Right Caster L Bracket for Pursuit Chassis w/ Slack Logo
- PM-19SLLLEVATE** Left Caster L Bracket for Elevate Chassis w/ Slack Logo
- PM-19SLRELEVATE** Right Caster L Bracket for Elevate Chassis w/ Slack Logo
- PM-19SLL10/SL** 10° Left Caster L Bracket for Xpect & Axiom Chassis w/ Slack Logo
- PM-19SLR8** 8° Right Caster L Bracket for Xpect & Axiom Chassis No Logo
- PM-19SLR10/SL** 10° Right Caster L Bracket for Xpect & Axiom Chassis w/ Slack Logo
- PM-19SLL5/SL** 5° Left Caster L Bracket for Xpect & Axiom Chassis w/ Slack Logo
- PM-19SLL10** 10° Left Caster L Bracket for Xpect & Axiom Chassis No Logo
- PM-19SLL15** 15° Left Caster L bracket for Xpect & Axiom Chassis No Logo
- PM-19SLL15/SL** 15° Right Caster L bracket for Xpect & Axiom Chassis w/ Slack Logo
- PM-19SLR15** 15° Right Caster L bracket for Xpect & Axiom Chassis No Logo
- PM-19SLR10** 10° Right Caster L Bracket for Xpect & Axiom Chassis No Logo
- PM-19SLL8** 8° Left Caster L Bracket for Xpect & Axiom Chassis No Logo
- PM-19SLL5** 5° Left Caster L Bracket for Xpect & Axiom Chassis No Logo
- PM-19** 10° Left Caster L Bracket for Reactor & SP Series Chassis No Logo
- PM-19A** 10° Right Caster L Bracket for Reactor & SP Series Chassis No Logo
- PM-19B** 5° Left Caster L Bracket for Reactor & SP Series Chassis No Logo
- PM-19BK** 3/8-16 Drilled Caster Bracket Bolt Assembly Kit
- PM-19BK-5/16** 5/16-18 Drilled Caster Bracket Bolt Assembly Kit
- PC-5120** Replacement 1/2" Spherical Bearing
- PM-19COVER** Snoop Covers (set of 2) For Caster Brackets
- PM-19SK** Spacer Block Kit for Right Side L Block (includes 13" Tie Rod)



CASTER L BRACKET ASSEMBLIES

Assembly comes complete ready to bolt on (minus the spindle).

- PM-19SLLPURSUITASSY** Left Caster L Bracket Assembly For Pursuit Chassis
- PM-19SLRPURSUITASSY** Right Caster L Bracket Assembly For Pursuit Chassis
- PM-19SLL10/SL-ASSY** Left Caster L Bracket Assembly For Xpect & Axiom Chassis
- PM-19SLR10/SL-ASSY** Right Caster L Bracket Assembly For Xpect & Axiom Chassis
- PM-19SLLLEVATEASSY** Left Caster L Bracket Assembly For Elevate Chassis
- PM-19SLRELEVATEASSY** Right Caster L Bracket Assembly For Elevate Chassis



KING PIN BOLTS

Drilled for safety clip. CZ = Clear Zinc, YZ = Yellow Zinc

Length is measured from under the head to end of bolt.

Precision King Pin Bolt is made from precision ground stock for more precise straightness.

- PM-99-1/2-3.64** 1/2" x 3.64" CZ
- PM-99-1/2-3.75** 1/2" x 3.75" CZ for Elevate, Pursuit, Xpect & Axiom
- PM-99-1/2-4.15** 1/2" x 4.15" CZ
- PM-99-1/2-4.40** 1/2" x 4.40" CZ for SP Series & Reactor Chassis
- PM-99-1/2-4.60** 1/2" x 4.60" CZ
- PM-99-7/16-4.00** 7/16" x 4.00" YZ
- PM-99-7/16-4.25** 7/16" x 4.25" YZ
- PM-99P-1/2-3.75** 1/2" x 3.75" YZ Precision King Pin Bolt for Elevate, Pursuit, Xpect & Axiom

NEW!



KING PIN WASHERS & KITS (All parts are unfinished except as noted)

PM-99KWK-1/2 1/2" King Pin Washer Kit

-Includes 36 PC-3210 & 2 PC-3220 (Usually Enough for 2 Spindles)

PC-3210 1/2" ID x 7/8" OD x 1/16" Thick S.S. King Pin Washer

PC-3220 1/2" ID x 7/8" OD x 1/32" Thick S.S. King Pin Washer

PC-3225 1/2" ID X 7/8" OD X 1/4" Thick Steel King Pin Washer (Zinc Plated)

PM-99KWK-7/16 7/16" King Pin Washer Kit

-Includes 36 PC-3209 & 2 PC-3219 (Usually Enough for 2 Spindles)

PC-3209 7/16 ID x .81" OD x 1/16" Thick S.S. King Pin Washer

PC-3219 7/16 ID x .81" OD x 1/32" Thick S.S. King Pin Washer



WHEEL SPACERS

Black anodized finish.

- PM-22-1/8** 1/8" Thick x 5/8" I.D
- PM-22-1/4** 1/4" Thick x 5/8" I.D
- PM-22-1/2** 1/2" Thick x 5/8" I.D
- PM-23-1/8** 1/8" Thick x 3/4" I.D
- PM-23-1/4** 1/4" Thick x 3/4" I.D

METRIC WHEEL SPACERS

Black anodized finish.

- PM-22-M17-5** 5mm Thick x 17mm I.D
- PM-22-M17-10** 10mm Thick x 17mm I.D
- PM-22-M17-20** 20mm Thick x 17mm I.D
- PM-22-M25-5** 5mm Thick x 25mm I.D
- PM-22-M25-10** 10mm Thick x 25mm I.D



CHASSIS COMPONENTS

*All parts are unfinished except as noted.

PC-6390 Floor Pan Tab with 1/4" dia. Hole

PC-6395 Floor Pan/ Tie Link Tab with 3/8" dia. Hole

PC-6410 Weight Tab

PC-6496 Weld On Dzus Plate for 5/16" dia. Dzus Buttons

PM-090100 Right Side Weld On Caster Plate (Pursuit, Xpect & Axiom)

PM-090200 Left Side Weld On Caster Plate (Pursuit, Xpect & Axiom)

PM-090123 Right Side Weld On Caster Plate (Elevate)

PM-090223 Left Side Weld On Caster Plate (Elevate)

PM-90J Left Side Weld On Caster Plate (Reactor)

PM-90K Right Side Weld On Caster Plate (Reactor)

PM-100AA Pitman Arm

PM-100X Master Cylinder Bracket (for MCP Master Cylinder)

PM-100Y 1/2-20 Bottom Steering Rod End Spud

PM-100Z Throttle Bracket - Weld On Style

PM-100110 Throttle Bracket - Floor Pan Bolt On Style, Zinc Coated

PM-103 Cassette Hanger Bracket -For Standard 3/8-16 Bolt Hole Pattern

PM-116A Slotted Weld On Seat Slider Plate

PM-116110 1-1/8" Steel Seat Strut Bottom Clamp

PM-120056 Weld on Steering Post Spud



STEERING COMPONENTS

STEERING WHEEL ANGLE ADAPTERS

Allows the steering wheel to be tilted back for driver comfort and extra leverage. Comes complete with all mounting hardware. Anodized Black.

PM-115CS10 10° Steering Wheel Angle Adapter



3 HOLE STEERING LOCK

10° locking increments allow you to accurately check kart for toe and Ackerman settings. Includes locking pin with keeper ring. Black anodized finish.

PM-3-19 19mm Steering Lock Assembly

PM-3-20 20mm Steering Lock Assembly

PM-3-5/8 5/8" Steering Lock Assembly with Delrin Wear Bushing

PM-3P Steering Lock Pin with Keeper Ring



2 HOLE THREADED STEERING LOCK

5/8" 2 Mounting holes are threaded to accommodate mounting bolts (not included) from both sides of yoke. This eliminates the sharp, dangerous threaded bolt end sticking out from one side of the yoke. Includes locking pin with keeper ring. Black anodized finish.

PM-003000 5/8" 2 Hole Steering Lock Assembly

PM-003002 Drilled Bolt Mounting Kit (3 Bolts with Washers)

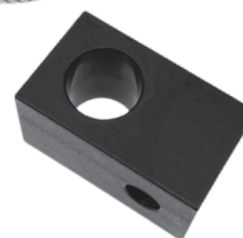
PM-3P Steering Lock Pin with Keeper Ring



SINGLE HOLE STEERING BLOCK

Single Hole, Aluminum Steering Block without bushing. Black anodized finish.

PM-3S



STEERING WHEELS

NOTE: Specify color when ordering.

PM-062100 Surreal Wheel (13" Wide with 1-1/8" dia. Tubing)

-Available in Flat Black or Unfinished

PM-062200 Wide Surreal Wheel (14.5" Wide with 1-1/4" dia. Tubing)

-Available in Flat black or Unfinished

PM-062KART MPI Go Kart Tilt Wheel

PM-062MOD MPI Dished Modified/Late Model Wheel

PM-062MOD-F MPI Flat Modified/Late Model Wheel

PM-062QTR MPI Quarter Midget Wheel

PM-62-12 12" Round - Available in Flat black or Unfinished

PM-62-14 14" Round - Available in Flat black or Unfinished



STEERING SHAFTS

Special length steering shafts available upon request.
Minimum quantities may apply.

PM-115A22 22" Steering Shaft with Threaded End
-Pitman Arm welded on, black oxide finish

PM-115A24 24" Steering Shaft with Threaded End
-Pitman Arm welded on black oxide finish

PM-115A26 26" Steering Shaft w/ Threaded End
-Pitman Arm welded on, black oxide finish

PM-115B22 22" Steering Shaft with Straight End
-Pitman Arm welded on. Black oxide finish

PM-115B24 24" Steering Shaft with Straight End
-Pitman Arm welded on. Black oxide finish

PM-115C22 22" Steering Shaft Only with Threaded End
-No Pitman Arm included, unfinished

PM-115C24 24" Steering Shaft Only with Threaded End
-No Pitman Arm included, unfinished

PM-115C26 26" Steering Shaft Only with Threaded End
-No Pitman Arm included, unfinished

PM-115D22 22" Steering Shaft Only with Straight End
-Pitman Arm included, unfinished

PM-115D24 24" Steering Shaft Only with Straight End
-No Pitman Arm included, unfinished

PM-115EHEX Steering Shaft for Champ Kart with Hex Male End

-Comes complete with steering lock kit, Pitman arm and hex quick release male end (bolt on).
DOES NOT include quick release hub. Specify length when ordering - 22", 24", or 26." Unfinished.

PM-115H Steering Shaft Hub with Hardware Kit - Unfinished

PM-100AA Pitman Arm Only - Unfinished

PM-115S Aluminum Spacer for Pitman Arm Bolt

5° ADJUSTABLE ALUMINUM STEERING HUB ASSEMBLY AND SHAFTS

PM-115200 5° Adjustable Steering Hub Assembly with Hardware
(.625 ID. Standard Shaft Size)

PM-115202 5° Adjustable Steering Hub Assembly with Hardware
(.637 ID. Standard Shaft Size)

PM-115204 5° Adjustable Steering Hub Assembly with Hardware
(.750 ID)

PM-115210 5° Adjustable Steering Hub Assembly with Hardware
-For Mychron Steering Wheel

PM-115214 5° Adjustable Steering Hub Assembly with Hardware
-For MPI Wheel (.625 ID. Standard Shaft Size)

PM-115F22 22" Steering Shaft (Unfinished, No Pitman Arm)

PM-115F24 24" Steering Shaft (Unfinished, No Pitman Arm)

PM-115G22 22" Steering Shaft (Black Oxide finish w/ Pitman Arm)

PM-115G24 24" Steering Shaft (Black Oxide finish w/ Pitman Arm)

QUICK RELEASE HUB

PM-115HCK5 5° Tilt Hex Quick Release Hub Only

PM-115HCKH 5/8" ID Hex Bolt/Weld On Spud Only

PM-115HCKA5 5° Tilt Hex Quick Release Hub & Weld/Bolt On Spud

LOCKING COLLARS

PM-24-5/8 5/8" Steering shaft Locking Collar - Black Anodized Finish

PM-24-3/4 3/4" Nerf bar Locking Collar - Black Anodized Finish



SCAN FOR



CURRENT PRICING



TIE RODS

3/8" Tubular Aluminum Tie Rods w/ Wrench Flats. Black anodized finish.
Please specify length when ordering.

Available lengths: 3-1/8, 3-1/2, 3-5/8, 3-3/4, 4, 4-1/2, 5, 5-1/2, 6, 6-3/8, 6-1/2, 6-3/4, 7, 7-1/4, 7-1/2, 8, 8-1/4, 8-1/2, 9, 9-1/2, 9-3/4, 10, 10-1/4, 10-1/2, 11, 11-1/4, 11-1/2, 12, 12-1/2, 13, 16-1/4"

PM-25 (Length)

TIE ROD ASSEMBLIES

Tie Rod Assemblies come complete with a Right & Left Side Pro Series 3/8 Rod End and Jam Nuts.

PM-25-5 1/2ASSY Elevate Left Side

PM-25-6ASSY Pursuit & Xpect Left Side

PM-25-12 1/2ASSY Elevate, Pursuit & Xpect Right Side

PM-25-13ASSY For Spacer Block -Elevate, Pursuit & Xpect Right Side

ROD ENDS & JAM NUTS Zinc coated.

PC-5200 3/8-24 RH Rod End

PC-5202 3/8-24 RH Pro Series Rod End

PC-2180 3/8-24 RH Jam Nut

PC-5210 3/8-24 LH Rod End

PC-5212 3/8-24 LH Pro Series Rod End

PC-2190 3/8-24 LH Jam Nut

PC-5230 1/2-20 RH Rod End

PC-5230D 1/2-20 RH Rod End - Drilled for Safety Clip

PC-5232 1/2-20 RH Pro Series Rod End

PC-5232D 1/2-20 RH Pro Series Rod End - Drilled for Safety Clip

PC-5234D 1/2-20 RH 2" Long Pro Series Rod End - Drilled for Safety Clip

PC-2210 1/2-20 RH Jam Nut

PC-2215 1/2-20 LH Jam Nut

PC-2221 1/2" Slotted Camber Nut (Thin)

PC-2220 1/2" Slotted Camber Nut (Thick)

PM-25-STANDARDENDS Includes Standard Rod Ends and Nuts for 1 Tie Rod

PM-25-PROENDS Includes Pro Series Rod Ends and Nuts for 1 Tie Rod

*Pro Series Rod Ends feature a high strength injection molded NYLOY® race that provides a slight preload for smooth operation, increased performance, and acts as a wiping seal to keep dirt & foreign materials away from the bearing surface.

Yellow Zinc Finish.

SAFETY CLIPS

PC-6190 Large Safety Clip

PC-6200 Small Safety Clip



STEERING POSTS & YOKES

PM-120047 8.5" Steel Steering Post with 1/2 -20 Threaded Insert

-For Elevate, Pursuit, Xpect & Axiom Chassis - Black Powder Coat Finish

PM-120048 8.5" Offset Steering Post with 1/2-20 Threaded Insert

-For Elevate, Pursuit, Xpect & Axiom Chassis - Black Powder Coat Finish

PM-120049 7" Jr. Steel Steering Post with 1/2-20 Threaded Insert

-For Elevate, Pursuit, Xpect & Axiom Chassis - Black Powder Coat Finish

PM-120045 1/2 -20 Steel Threaded Yoke Assembly - Zinc Plated

PM-120056 Weld On Steering Post Spud



MOTOR PARTS

EXHAUST PIPES, MUFFLERS & GASKETS

- PM-131060** Clone Motor Weenie Pipe RLV Muffler
- PM-131070** RLV Muffler for Box Stock Clone & Flat Head Motors
- PM-131100** Clone Advantage Pro Header Pipe
- PM-131105** Muffler Clamps for Advantage Pro Header Pipes
- PM-131130X** Aluminum Header Pipe Support Bracket
-For Clone Motor with Hardware
- PM-131110** Braided Fiberglass Header Sleeve (Priced Per Foot)
- PM-131120** Silicone Header Sleeve (Priced Per Foot)
- PC-6602C** Clone Copper Exhaust Gasket

CLONE TOP PLATE KIT

- Comes complete with all mounting hardware & throttle assembly (shown).
Logos available upon request (minimum quantities & artwork fee will apply).
Black anodize finish. Kit Includes Torsion Spring.
- PM-102100** Standard Clone Top Plate Kit
 - PM-102102** Lite Weight Cut Clone Top Plate Kit
 - PC-6665** Torsion Spring for Clone Top Plate

ANIMAL THROTTLE LINKAGE KIT

- Anodized black with zinc coated steel end brackets. Clevises, wrench, brass fittings and all hardware included. Throttle cable & plastic line not included.
**Custom logos laser engraved upon request.
30 piece minimums and artwork charges will apply.*
- PM-102AN** Bolts to Existing Holes on Animal Control Plate

RAPTOR THROTTLE LINKAGE KIT

- PM-102RK** Comes complete with all parts shown
-Throttle cable & plastic line not included

DRILLED HEADER & CARB BOLTS

- PC-3135** 1/4" High Collar Header & Carb Washer
- PC-3175** 8MM High Collar Header Washer
- PC-1244DZ** M8 X 25MM (1.0") Long Socket Head Cap Screw
- PC-1245DZ** M8 X 30MM (1.18") Long Socket Head Cap Screw
- PC-1246DZ** M8 X 40MM (1.50") Long Socket Head Cap Screw

MISC THROTTLE COMPONENTS

- PM-102A** Raptor Throttle Linkage Bracket only
- PM-102A-2 1/2** 2-1/2" Long Raptor Throttle Linkage Bracket Only
- PM-102D** Male Throttle Clevis Wrench Included
- PM-102E** Female Throttle Clevis Wrench Included
- PM-107** Throttle Cable Pull Adapter
- PM-107A** Hex Throttle Cable Pull Adapter - Black Anodized Finish
- PM-122200** 3/16 Plastic Brake Line/Plastic Throttle Cable Liner
-3 ft Long Piece
- PM-122228** 28" Braided Throttle Cable Line
- PC-2112** 1/4-28 Thin Nyloc Lock Nut (for Throttle Rod)
- PC-6160** Throttle Spring
- PC-6180** Brass Compression Fitting Only
- PC-6570** Throttle Cable
- PC-6615** 1/4" dia. Throttle Rod Lock Collar - Zinc Coated
- PC-6710** Clone Pulling Rod
- PC-6711** Clone Fine Regulating Spring
- PC-6712** Clone Throttle Return Spring



TILLOTSON FILTER ADAPTERS

PM-78 314 Filter Adapter

PM-79 368 Filter Adapter



AIRSPEED II® FILTER ADAPTER FOR CLONE MOTOR

Airspeed Filter Adapter for Clone motor. Black anodized finish. Comes with choke bracket and hardware. After extensive testing, 8 prototypes, over 200 dyno pulls on 3 different motors, up against every adapter that we could find, the AIRSPEED adapter has proven without a doubt, positive gains and a broader power curve on box stock class clone engines, specifically with top end "drop off" common with other adapters.

PM-007100 Airspeed Filter Adapter for Clone Motor. Black Anodized

PM-007200 Airspeed Filter Adapter for 79CC Predator Motor. Unfinished

FUEL TANKS

PM-123000 4 Quart Floor Mount Aluminum Fuel Tank

PM-123005 2 Quart Floor Mount Aluminum Fuel Tank

PM-123110 3 Quart Upright Mount Plastic Fuel Tank

PM-123200 3 Quart Upright Mount Aluminum Fuel Tank

PM-123205 2 Quart Upright Mount Aluminum Fuel Tank

PM-48-1 1" Locking Collar for Plastic Fuel Tank - Unanodized

PM-48-1E 1" Offset Locking Collar for Plastic Fuel Tank - Unanodized

PC-6574 Nylon Fuel Line Clamp

PC-6575 Economy Fuel Line (Priced Per Foot)

PC-6576 Fill-Fast Funnel with Outerwear

PC-6577 Tygon Fuel Line (Priced Per Foot)

PC-6578 Ratio Rite Cup with Lid

PC-6625 Replacement Fuel Cap for Aluminum Fuel Tank

PC-6627 Replacement Fuel Cap for Plastic Fuel Tank

PC-6631 Fuel Line Check Valve

PC-6632 Replacement Metal Petcock for Aluminum Fuel Tank

PC-6638 Fuel Filter

PC-6639 Fuel Pump for Animal & Clone Motor

PC-7600 3 Gallon Plastic Fuel Jug

PC-7601 Floor Mount for Fuel Jug

PC-7602 Hose Bender Spout For Fuel Jug

PC-7604 5 Gallon Plastic Fuel Jug

NEW!



FLYWHEEL HOUSING COVERS & RECOILS

- PM-101** Clone and Animal Aluminum Housing Cover
- PM-101H** Clone and Animal Aluminum Housing Cover w/ air holes
- PC-6720** Red Clone blowing housing cover
- PC-6721** Black Clone blowing housing cover
- PC-6725** Clone blowing housing cover bolt
- PC-6722** Red Clone Recoil Starter
- PC-6723** Black Clone Recoil Starter
- PC-6724** Clone recoil starter bolt

OIL CATCH CANS

- Black Powder Coated
- PM-057000** Aluminum Oil Catch Can
 - Mounts on Axiom Style Cassette Hanger
- PM-057010** Aluminum Oil Catch Can
 - Mounts on Elevate, Pursuit & Xpect Style Cassette Hanger
- PM-057050** Carbon Fiber Oil Catch Can
 - Mounts on Motor Mount
- PC-6572** 3/8" ID x 1/2" OD x 12" Long Catch can tube

ALUMINUM CHAIN GUARDS

- Adjustable height with black finish
- PM-42** Unslotted Briggs Aluminum Chain Guard
- PM-42S** Slotted Briggs Aluminum Chain Guard
- PM-42ANM** Short Briggs Aluminum Chain Guard For Animal Motors
- PM-42CL** Short Aluminum Chain Guard For Clone & Predator Motors (6")
- PM-042100** Tall Aluminum Chain Guard For Clone Motors (7")
- PM-42CLHS** Heat Suppressor Shield For PM-42CL & PM-042100
 - *Some trimming may be required
- PM-042120** Support Brace for Clone Motor Chain Guard
 - With Hardware (Mounts off of the Performance Clone Top Plate)

ALUMINUM CLUTCH GUARD

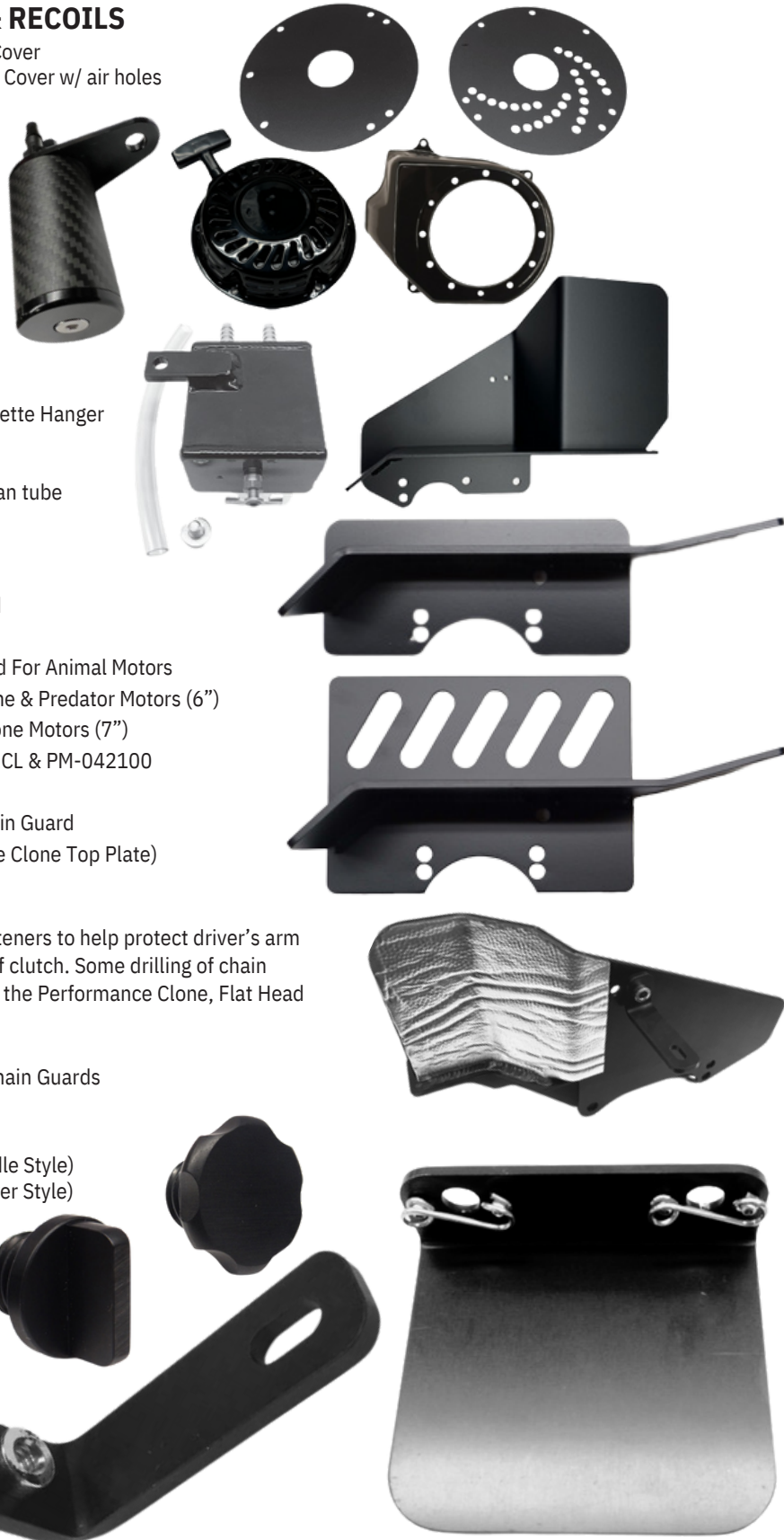
- Mounts on Chain Guard with included Dzus fasteners to help protect driver's arm from clutch. Easily removed for quick change of clutch. Some drilling of chain guard required. Black anodized finish. It fits on the Performance Clone, Flat Head & Animal Chain Guards.
- PM-42CG** Clutch Guard
 - For Performance Clone, Flat Head & Animal Chain Guards

CLONE BILLET OIL FILL PLUGS

- PM-133000** Clone Billet Rear Oil Fill Plug (Handle Style)
- PM-133020** Clone Billet Front Oil Fill Plug (Clover Style)
- *Add your logo for a small charge

RESTRICTOR PLATES

- PC-6523** Clone Purple
- PC-6524** Clone Red
- PC-6526** Clone Green
- PC-6528** Clone Blue



GASKETS, SPARK PLUGS & MISCELLANEOUS MOTOR PARTS

- PC-6601 Clone Intake Gasket Insulator to Head Port
- PC-6602C Clone Copper Exhaust Gasket
- PC-6603 Clone Head Gasket
- PC-6606 Clone Rubber Valve Cover Gasket
- PC-6608 Clone Carb to Intake Gasket
- PC-6609 Clone Airbox to Carb Gasket
- PC-6631 Fuel Line Check Valve
- PC-6638 Fuel Filter
- PC-6639 Fuel Pump for Clone & Animal Motor
- PC-6650 Autolite 411 Spark Plug for Flat Head Motor
- PC-6651 Autolite AR3910 Spark Plug for Animal Motor
- PC-6652 Autolite AR3910X Spark Plug for Clone Motor
- PC-6710 Pulling Rod for Clone Motor
- PC-6711 Fine Regulating Spring for Clone Motor
- PC-6712 Throttle Return Spring for Clone Motor

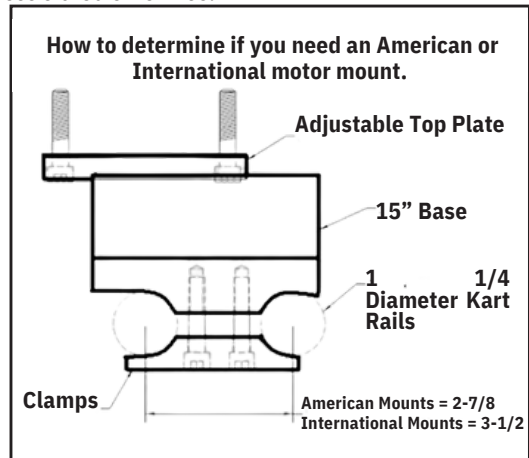


MOTOR MOUNTS

DUAL MOUNTS

Top plate easily reverses to change from 8° or 15° for quick motor change. Black anodized finish and your choice of zinc plated steel butterfly clamps or black anodized Aluminum clamps. The extended base mounts help extend your motor further left or right without creating bind on the top plate. Left side extension works best with indoor and pavement racing while the right side extension works best with road course applications. - Fit 1-1/4" Frame Rails unless stated otherwise.

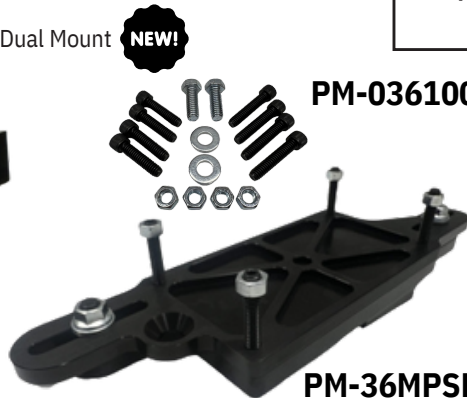
- PM-036100 8°/15° Dual Mount with International Clamps
- PM-036110 8°/15° Dual Mount with International Clamps
- 1.6" Extended Base for Right Side Overhang
- PM-036111 8°/15° Dual Mount with International Clamps
- 1.6" Extended Base for Left Side Overhang
- PM-036115 8°/15° Dual Mount
- 1-1/8" Rails with International Clamps
- PM-036120 8°/15° Dual Mount 5.60" Wide Base
- With International Aluminum Clamps - Black Anodized
- PM-036100BK Dual Motor Mount Bolt Kit
- PM-036104 Dual Mount Top Plate
- PM-36MPSPD Slider Plate Assembly For Dual Mount **NEW!**



PM-036100AL



PM-036100BK



PM-036111AL

PM-36MPSPD

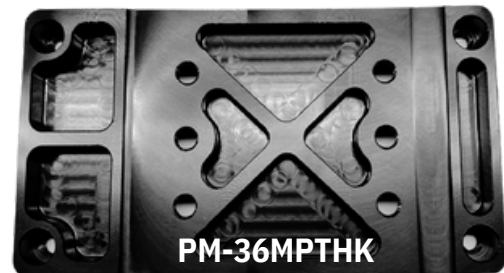
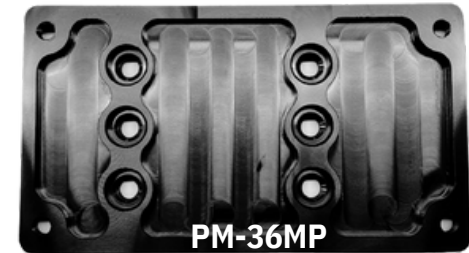
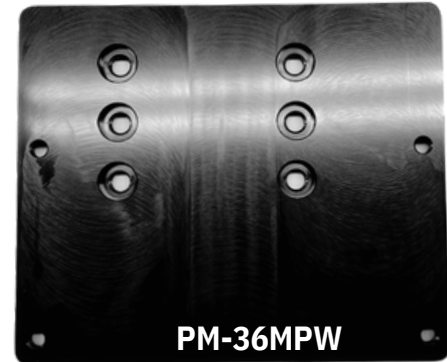
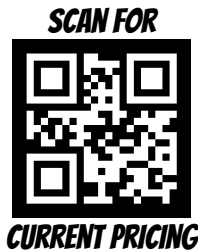
MOTOR MOUNTS

MOTOR MOUNTS

Our top quality adjustable motor mounts are ultra-lightweight. Includes all hardware. American Mounts come with zinc coated butterfly clamps. International Mounts come with your choice of Zinc Coated Steel Butterfly Clamps or Black Anodized Aluminum Clamps. Items fit 1-1/4" rails unless stated otherwise. Black anodized finish.

- PM-36A0** 0° with American Clamps
- PM-36A5** 5° with American Clamps
- PM-36A8** 8° with American Clamps
- PM-36A15** 15° with American Clamps
- PM-36AC** American Steel Clamp Set - Zinc Plated
- PM-36I0** 0° with International Clamps
- PM-36I5** 5° with International Clamps
- PM-36I8** 8° with International Clamps
- PM-36I15** 15° with International Clamps
- PM-36IC** International Steel Clamp Set - Zinc Plated
- PM-36ICAL** International Aluminum Clamp Set - Black Anodized
- PM-36MP** 1/2" Thick Standard Motor Mount Plate
- PM-36MPTHK** 3/4" Thick Motor Mount Plate
- PM-36MPW** Wide Motor Mount Plate
- Allows for more left side weight for pavement and indoor track
- PM-36MP-305** Motor Mount Plate for 305 Intek Motor
- PM-36MPSP** Motor Mount Slider Plate Assembly
- Allows for quick adjustment of motor position for gear change and easy motor removal. Includes all mounting hardware
- PM-36MPTS** Top Plate Only For Slider Plate - Includes Hardware
- PM-36BK** Motor Mount Bolt Kit
- PC-2124A** 5/16 Aluminum Large Flange Motor Mount Nut 1/2" Hex

*Motor mounts come standard with the 1/2" thick plate.
 -The 3/4" thick plate, wide plate, 305 plate, and slider plate all fit the same standard base and are available as options instead of the standard 1/2" thick plate.
 -Please specify "THK", "W", "305" or "SP" when ordering.



KARTING TOOLS & ACCESSORIES

KKP TIRE ROTISSERIES

Single roller holds 4 - 8.00 tires at a time, has a pan with a drain for outside rolling and comes with levelers on the bottom of the frame. Double rotisserie can roll 8 - 8.00 at one time and has levelers on each corner; pan not included. Both units are lightweight for easy transport.

PM-125171 KKP Single Tire Rotisserie

PM-125172 KKP Double Tire Rotisserie



KKP BEAD BREAKER

Will Break the bead on all size rims. Hydraulic jack breaks both sides at once. Powder coated finish.

PM-125010



KKP FILTER RACKS

Holds 4 filters. **PM-125020** Clone/Flathead Trailer Filter Rack **PM-125022** Animal Trailer Filter Rack



KKP HOT BOXES

Aluminum construction with digital thermostat and strip heater. Toggle switch for industrial strength motor. Fully adjustable pan with drain (double box has two separate pans). Works great in the shop or at the track.

PM-125110 Single Hot Box (Holds Four 8.00 Wide Tires)

PM-125120 Double Hot Box (Holds Eight 8.00 Wide Tires)



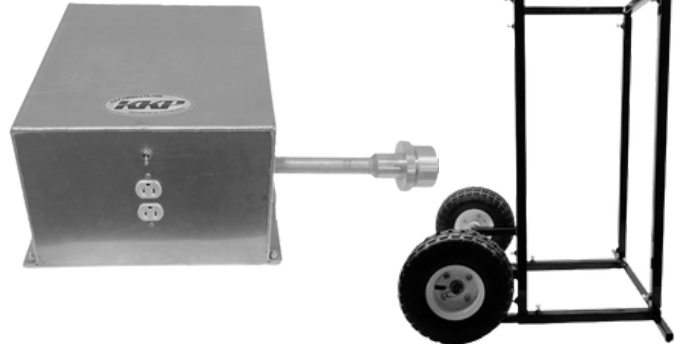
KKP TIRE RE-SURFACING MACHINE

Great for resurfacing tires that have been raced or for taking the glaze off new tires. Toggle on/off switch operates the 1/2 horsepower 350RPM industrial strength motor. Comes with a quick release hub for easy changing of wheels. Optional black powder coated stand with 10" pneumatic wheels.

PM-125150 KKP Tire Re-Surfacing Machine

PM-125151 Optional Stand for Resurfacer or Tire Washer

PM-125153 Cabinet Stand for Resurfacing Machine



KKP TIRE WASHER

This all aluminum construction tire washer uses a drill motor (not included) to spin the tire while the brushes do the scrubbing. Features a built in heating probe and thermostat to warm the water. Comes with a quick release hub for easy changing of wheels (no nuts) and drain plug in bottom for easy removal of water.

PM-125140 KKP Tire Washer

PM-125152 KKP Quick Release Chuck

-Fits on 1" or 1.125" Shafts



KKP RACKS

PM-125130 KKP Tire Rack

-Holds 8 sets of tires or sixteen 8.00 wide tires

PM-125165 KKP Horizontal Motor Rack

PM-125166 KKP Vertical Motor Rack

PM-125166 KKP Single Motor Rack

PM-125169 KKP Sprint Kart Axle Rack

PM-125170 KKP Axle Rack (2 pcs)

PM-125175 KKP 5 Gallon Jug Double Rack

PM-125181 KKP Wall Mount Table 25 X 58

PM-125185 KKP 8 QT. Can Rack

PM-125190 KKP 12 QT. Can Rack

PM-125200 Paper Towel Rack



KKP ULTIMATE STACKER STAND

PM-125125 KKP Ultimate Stacker Stand. Can stack 2 Karts.

KKP TRAILER RAMP GAP FILLER

-Fills the gap between the trailer ramp. Comes in 2 pieces

PM-125215 KKP Trailer Ramp Gap Filler. 88 inches Total Length

PM-125220 KKP Trailer Ramp Gap Filler. 72 inches Total Length

KKP ONE MAN POWER KART STAND WITH BIG WHEEL KIT

Let this stand do all the lifting for you. Ideal for the independent racer or a heavy kart. Just hook the loops in the bumper and let the 2,000 lb wench (included) and 12 volt rechargeable battery (not included) do the work for you with the push of a button. Lowers the kart back to the ground just as easily. This stand has the big wheel kit added for better maneuver ability.

PM-125105

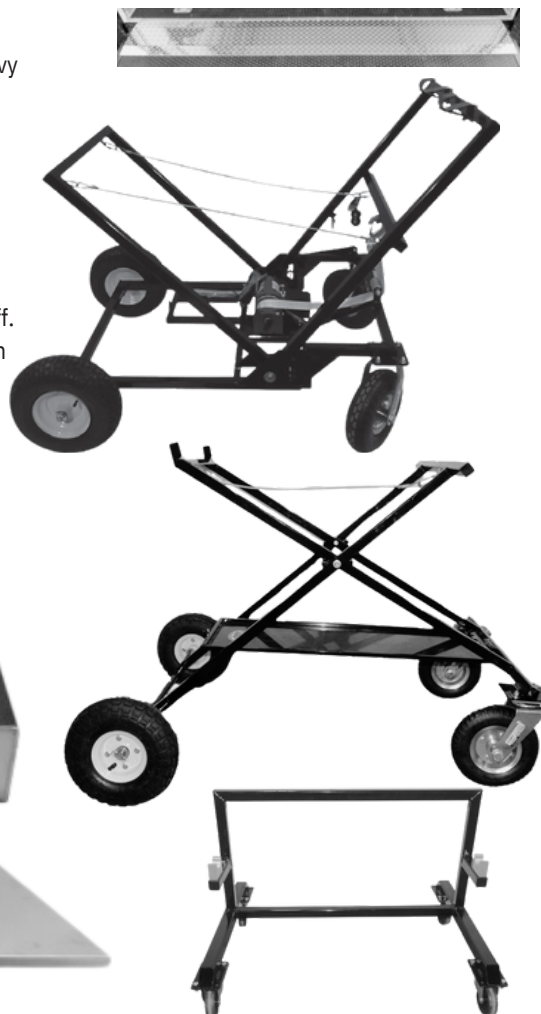
KKP FOLDING KART STAND

Universal for all karts with tabs in front and back to ensure kart will not slide off. Comes with two 10" pneumatic wheels in the front and two 8" swivel wheels in the back. Folds up for easy storage and crowded grids. 275lb weight limit.

PM-125100 KKP Folding Kart Stand

PM-125100BLUE Blue w/ Black Wheels & Rubber Protectant Pcs.

PM-125100RED Red w/ Black Wheels & Rubber Protectant Pcs.



KKP UPRIGHT ROLLING KART DISPLAY STAND

PM-125160 KKP Upright Rolling Kart Display Stand



ADDITIONAL KARTING TOOLS

TIRE DUROMETER

PC-6550 Intercomp Tire Durometer

GEAR RACKS

Gear racks fit both ultralite and mini gears.

PM-106A 12 Space

PM-106B 25 Space

CHAIN BREAK TOOL

PC-6360 For #35 Chain

AIR GAGES

PC-6553 Joe's Digital Air Pressure Gage 0-60 Psi

PC-6551 Intercomp Digital Air Pressure Gage 0-150Psi

PC-6552 Protectant Boot For Intercomp Gage

LASER TOE GAGE

The ultimate in precision for setting toe. Laser Toe Gage Comes complete with your choice of axle adapter (specify when ordering). Includes 2" extension, Hard Case & 2 AA batteries. Anodized Blue. ****NOTE**** You will need a camber gage w/ mirror for the front spindle axles. (see PM-91 and PM-091100 camber gages with mirrors)

PM-091000ST Performance Laser Toe Gage w/ Standard Wall Adapter (Blue)

PM-091000TW Performance Laser Toe Gage w/ Thin Wall Adapter (Blue)

PM-091020 Standard Wall Laser Toe Gage Adapter Only (Blue)

PM-091030 Thin Wall Laser Toe Gage Adapter Only (Blue)

PM-091040 2" Extension for Laser Toe Gage Adapter Only (Blue)

CAMBER GAGES

PM-091100 Performance Digital Camber Gage

.02" incremental digital readout takes the guess work out of setting camber. Comes complete with 5/8-18 spindle adapter, rechargeable battery, power cord, and hard case. Mirrored on front & back for use with laser toe gage. Anodized Blue.

PM-91 Performance Camber Gage

Comes complete with 5/8-18 spindle adapter, and hard case. Mirrored on back side for use with laser toe gage. Anodized Blue.

SAFETY

PM-129100 Crow 2" 5 Point Harness Seatbelt (Black)

PM-129101 Simpson Arm Restraints (Black)

PM-129105 Kart Racewear Jr. Neck brace with Wedge (Black)

PM-129106 Simpson Sr. Neck brace (Black)

PM-129107 Simpson Helmet Restraint (Black)

PM-129108 Simpson Youth Arm Restraints (Black)

PM-129120 Ribtect SM1 Chest Protector (Chest Size 22-26")

PM-129121 Ribtect SM2 Chest Protector (Chest Size 26-30")

PM-129200 MPI Gloves (Youth XS-Adult 2XL)

PM-129300 Racing Electronics 1 Way Radio

PM-129301 Racing Electronics Ear Buds

PM-129302 Racing Electronics Custom Molded Ear Buds

PM-129303 Racing Electronics Helmet Speakers

PC-6700 Pit Light 1200 Lumen Mobil Flood Light

SP-050023 Slack Racing Jacket (YS-YL, Adult SM.-3XL)

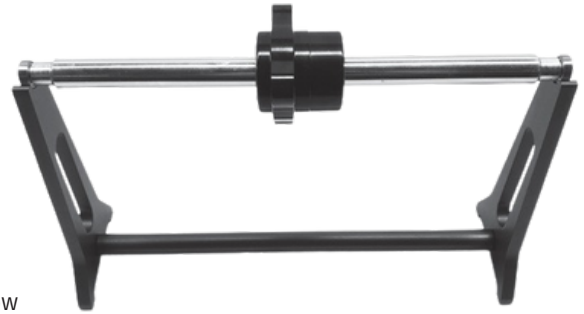


DELUXE WHEEL BALANCER KIT

Uses smaller, more sensitive bearings. When assembled, it stands by itself on a bench top. Blue anodized finish.

PM-43D 5/8 Diameter Shaft (With Free Spinning Hub)

PM-43D17 17mm Diameter Shaft (Does not Include Hub)



WHEEL BALANCER THREADED HUB ADAPTER

This two piece quick change aluminum hub assembly threads together to allow for faster changing of wheels when balancing. 5/8" ID bearings. Works on PMI deluxe wheel balancer. Anodized Blue.

PM-043100 Wheel Balancer Threaded Hub Adapter



WHEEL WEIGHTS

PC-6620 Self Adhesive Wheel Weights - 24 pcs, 1/4 ounce each

MYCHRON 5 TACHOMETER & ACCESSORIES

PM-113010 Mychron 5S Tachometer

PM-113CK 5/8 dia. Bent Tachometer Mount Bracket

Split for Champ Kart & Flat Kart (for 5/8" Steering Shaft)

PM-113CK3/4 3/4 dia. Bent Tachometer Mount Bracket

-Split for Champ Kart & Flat Kart (for 3/4" Steering Shaft)

PM-113000 Tachometer Mounting Hand Nut

PM-113011 Mychron Battery Pack

PM-113012 Mychron Head Temp Lead

PM-113013 Mychron RPM Lead

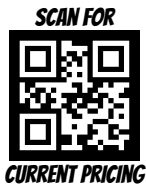
PM-113014 Mychron Receiver

PM-113015 Wall Charger for Mychron 5

-No need to take the tach off the kart to charge the battery

PM-113150 Port Plugs (Sold Individually, Unanodized)

PM-113200 Transponder Bag (Black)



OILS & CLEANERS

- PC-6310 Klotz Air Filter Oil (15.25oz. Spray Can)
- PC-6311 Klotz Foam Air Filter Oil (15.25oz. Spray Can)
- PC-6315 K&N Air Filter Oil (12.5oz Spray Can)
- PC-6320 Klotz Air Filter Cleaner (15.25oz. Spray Can)
- PC-6325 K&N Power Kleen Filter Spray (32oz.)
- PC-6331 Tri-Flow 6oz Drip Bottle
- PC-6341 X-Caliber Oil (1 Gallon)
- PC-6344G Blue Typhoon Oil (1 Gallon)
- PC-6346 Acrysol Tire Cleaner (Qt.)
- PC-6349 Tire Prep Reducer - PRS - (Qt.)
- PC-6349G 1 Gallon Prep Reducer - PRS - (Gallon)
- PC-6350 Hand Scrubbing Wipes - 70 Count
- PC-6351 Z-Max Brake & Parts Cleaner
- PC-6352 Z-Max All Purpose Foam Degreaser
- PC-6353 Z-Max Multi Purpose Lube
- PC-6354 Z-Max Silicone Spray
- PC-6356 Bad A\$\$ Karting Bearing & Chain Oil (Qt.)
- PC-6357 HP Chain Lubricant. (12oz. Can)
- PC-6358 Bad A\$\$ Rinsible Spray (Qt.)
- PC-6578 Ratio Rite Cup with Lid



TIRE PREPS

- LIQUID SPEED #1** - For hot, dry, high bite tracks. Builds bite without softening.
- PC-6305 1 Quart
- PC-6305G 1 Gallon
- LIQUID SPEED#2** - For dry, medium bite tracks. Builds bite while softening.
- PC-6306 1 Quart
- PC-6306G 1 Gallon
- LIQUID SPEED#3** - For dry, cold, lower bite tracks. Builds a ton of bite while softening.
- PC-6307 1 Quart
- PC-6307G 1 Gallon
- LIQUID SPEED#4** - For wet, lower bite tracks. Builds bite while softening.
- PC-6308 1 Quart
- PC-6308G 1 Gallon
- LIQUID SPEED i** - Internal prep specifically designed for Maxxis HT3 Tires.
- PC-6316G 1 Gallon
- LIQUID SPEED TS1** - External prep for dry, hot, dry-slick tracks. Builds bite without softening
- PC-6312 1 Quart
- PC-6312G 1 Gallon
- LIQUID SPEED TS2** - External prep for dry, medium bite tracks. Builds bite while softening
- PC-6313 1 Quart
- PC-6313G 1 Gallon
- PC-6303 1 Quart Plastic Tire Prep Cans
- PC-6304 Push/Pull Lid for Plastic Prep Can
- TRACK TAC TIRE WASH**
- PC-6314G 1 Gallon
- GOAT PEE**
- PC-6301 1 Gallon

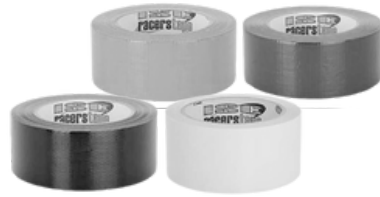


TIRE PREPPING APPLICATION PADS & DRYING TOWELS

- PC-6675 Tire Drying Towel (15" x 25")
- PC-6680 Tire Prep Application Pads (Pack of 12)

RACE TAPE

- PC-6580 Black 2" x 90'
- PC-6582 Red 2" x 90'
- PC-6584 Blue 2" x 90'
- PC-6586 White 2" x 90'



AIR FILTERS

- PC-6560 3-1/2" x 4" 20° Angled Flange for Clone
- PC-6561 3-1/2" x 5" Foam Pre Filter
- PC-6562 3" x 4" for Animal
- PC-6563 3" x 5" Foam Pre Filter for Animal
- PC-6566 K&N Style Foam Prefilter for Flat Head & Clone Air Filter
- PC-6567 K&N 20° Angled Flange Clone Air Filter
- PC-6585 Walker 6" Angled Clone Filter
- PC-6587 Outerwear Pre Filter For Walker Filter
- PC-6588 Outerwear Pre Filter For Standard Clone Filter
- PC-6589 Outerwear Pre Filter For K&N Angled Filter



SEAT WEIGHT MOUNTING BOLTS & HARDWARE

-Mounts flush on inside of seat for maximum driver comfort. Zinc coated.

- PC-1287 5/16-18 x 3" Long Seat Weight Mounting Bolt
- PC-1362D 3/8-16 x 3" Long Seat Weight Mounting Bolt
- PC-1364D 3/8-16 4.5" Long Seat Weight Mounting Bolt
- PC-3170 5/16" Flat Washer
- PC-3190 3/8 Flat Washer
- PC-2130 5/16-18 Nyloc Nut
- PC-2140 5/16-18 Standard Nut
- PC-2160 3/8-16 Nyloc Nut
- PC-2162 3/8-16 Standard Nut
- PM-116115 KKP 3/8" Seat Bolt Washer Kit
- PM-116115K KKP 3/8" Seat Bolt Washer Kit W/ Bolts & Nuts
- PM-116116 KKP 5/16" Seat Bolt Washer Kit



HARDWARE KITS

See website for parts included in each kit.

- PC-HKB Basic Hardware Kit
- PC-HKD Deluxe Hardware Kit



VELOCITY
CLUTCHES

PRESENTED BY: 

CLUTCHES AND DRIVERS

- PM-134000 Performance Velocity 2 Disc Clutch (Uses 4 Prong Drivers)
- PM-134001 Velocity Clutch 2 Disc Rebuild Kit



VELOCITY 4 PRONG DRIVERS

- PM-134110 10 Tooth 4 Prong Driver
- PM-134111 11 Tooth 4 Prong Driver
- PM-134112 12 Tooth 4 Prong Driver
- PM-134113 13 Tooth 4 Prong Driver
- PM-134114 14 Tooth 4 Prong Driver
- PM-134115 15 Tooth 4 Prong Driver
- PM-134116 16 Tooth 4 Prong Driver
- PM-134117 17 Tooth 4 Prong Driver
- PM-134118 18 Tooth 4 Prong Driver
- PM-134119 19 Tooth 4 Prong Driver
- PM-134120 20 Tooth 4 Prong Driver

2 PRONG DRIVERS

- PM-134110B 11 Tooth 2 Prong Driver
- PM-134111B 12 Tooth 2 Prong Driver
- PC-7211 11 Tooth 2 Prong Driver
- PC-7212 12 Tooth 2 Prong Driver
- PC-7213 13 Tooth 2 Prong Driver
- PC-7214 14 Tooth 2 Prong Driver
- PC-7215 15 Tooth 2 Prong Driver
- PC-7216 16 Tooth 2 Prong Driver
- PC-7217 17 Tooth 2 Prong Driver
- PC-7218 18 Tooth 2 Prong Driver
- PC-7201 11 Tooth Bushing Assembly

- PC-7033 Stepped Aluminum Clutch Washer (Unanodized)
- PC-7035 Velocity/Bully Clutch Key
- PC-7036 SMC Clutch Key
- PC-1234 Clutch Bolt 5/16-24 x 3/4"
- *Hilliard Fire Clutches & Drivers Available Online



STEERING FAIRINGS

Available in smoke. Brackets have black anodized finish.

PM-109020 Steering Fairing (Smoked Lexan)

PM-109050 Steering Fairing Bobsled Style (Smoked Lexan)

PM-109060 Steering Fairing Bracket for Bobsled Style Fairing

PM-109030 Steering Fairing Bracket with 5.50" Cross Rod

PM-109040 Steering Fairing Bracket with 7.00" Cross Rod



TAPERED WHEEL STUDS & NUTS

1/4-28 & 5/16-24 tapered wheel studs make changing of wheels and gears easier.

Black oxide finish.

PC-6482 Long 1/4-28 Tapered Wheel Stud (1-1/4" Thread Length)

PC-6483 5/16-24 Tapered Wheel Stud (1-1/4" Thread Length)

PC-2120 1/4-28 Serrated Flange Nut, 7/16" Hex (Zinc)

PC-2121 1/4-28 Smooth Face Flange Nut, 7/16" Hex (Zinc)

PC-2122 1/4-28 Hardened Wheel Nut, 1/2" Hex (Zinc)

PC-2122A 1/4-28 Wheel Nut - Aircraft Aluminum Large 1/2" Hex

PC-2122T 1/4-28 Titanium Wheel Nut 1/2" Hex

PC-2150 5/16-24 Serrated Flange Nut (Zinc)

PC-2151 5/16-24 Smooth Face Flange Nut (Zinc)



SAFETY WIRE

PC-6365 .025 Stainless Steel Safety Wire (1lb.)

TIRES & WHEELS

VAN-K MACHINED WHEELS

WHL-600 6 x 6 Van-K Unfinished

WHL-600BLK 6 x 6 Van-K Black Anodized

WHL-650 6.5 x 6 Van-K Unfinished

WHL-650BLK 6.5 x 6 Van-K Black Anodized

WHL-850 8.5 x 6 Van-K Unfinished

WHL-850BLK 8.5 x 6 Van-K Black Anodized

WHL-100 10.0 x 6 Van-K Unfinished

WHL-100BLK 10.0 x 6 Van-K Black Anodized

VAN-K MACHINED WHEEL SETS

WHL-SET Van-K Machined Wheel Set Unfinished

-Set Includes 1-6.5", 1-8.5" & 2-10.0" Unfinished Wheels

WHL-SETBLK Van-K Machined Wheel Set Black Anodized

-Set Includes 1-6.5", 1-8.5" & 2-10.0" Black Anodized Wheels



SCAN FOR



CURRENT PRICING

BURRIS TIRES

Available in 11, 33A, & B55A Compounds

BUR-500 Burris Tire 11 x 5.0 - 6 - Specify Compound

BUR-600 Burris Tire 11 x 6.0 - 6 - Specify Compound

BUR-810 Burris Tire 11 x 8.1 - 6 - Specify Compound



BURRIS TIRE SETS

Mounted on silver or black wheels, cut & finished. Specify Compound – 11, 33, or 55.

BUR-SET Burris Set - Silver Wheels

BUR-SETBLK Burris Set - Black Wheels

BUR-SET3 Burris Set - Includes right side & left rear tires & silver wheels

BUR-SET3BLK Burris Set - Includes right side & left rear tires & black wheels

VEGA TIRES

VEGA-450-Y Vega MCS Yellow Tire - Thin 11 x 4.50 x 6

VEGA-600-Y Vega MCS Yellow Tire - Thin 11 x 6.00 x 6

VEGA-800-Y Vega MCS Yellow Tire - Thin 11 x 8.00 x 6

VEGA-800-Y-THK Vega MCS Yellow Tire - Thick 11 x 8.00 x 6



SCAN FOR



CURRENT PRICING

VEGA TIRE SETS

-Dirt Sets are mounted, sized & sanded, 1-450 on 6.5" wheel, 1-600 on 8.5" wheel & 2-800's on 10" wheels

VEGA-SETTHK Dirt Vega Tire Set – Thick RS Tires, Silver Wheels

VEGA-SETTHKBLK Dirt Vega Tire Set – Thick RS Tires, Black Wheels

-Pavement Sets are sized & mounted only. 2-450's on 6.5" wheels & 2-800's on 10" wheels

VEGA-SETTHK-PM Pavement Vega Tire Set – Thick RS Tires, Silver Wheels

VEGA-SETTHKBLK-PM Pavement Vega Tire Set – Thick RS Tires, Black Wheels



HOOSIER TIRES

HSR-500-30 Hoosier 10.5 x 5.00 - 6 D30A

HSR-500-40 Hoosier 10.5 x 5.00 - 6 A40

HSR-800-30 Hoosier 11 x 8.00 - 6 D30A



HOOSIER TIRE SETS

Mounted on silver or black wheels, cut & finished.

Specifically for indoor concrete racing.

HSR-SET

HSR-SETBLK

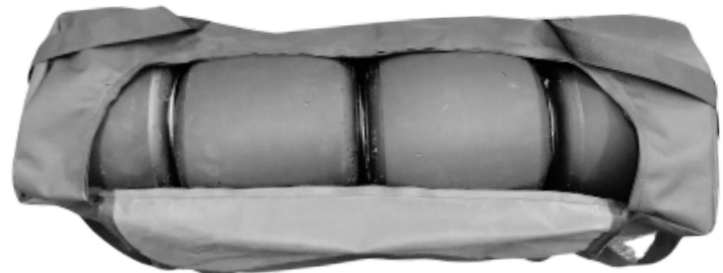
MISCELLANEOUS CHARGES

TIRE-CUT Cutting & Finishing Charge for All Tires

TIRE-REFIN Refinishing Charge for All Tires

TIRE-PREP Liquid Speed Prepping Charge for All Tires

PM-TIREBAG Tire Bag



STAGGER TAPE

PC-6554 10 foot steel stagger tape in plastic casing



BODIES, SEATS, & FLOOR PLANS

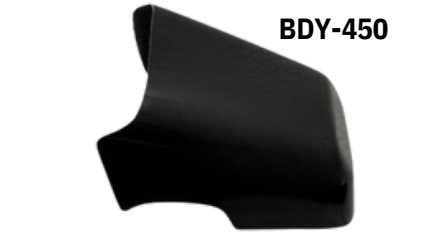
- BDY-400** Champ Kart Body kit (Available in Black or White)
- BDY-400NOSE** Champ Kart Nose Only (Available Black or White)
- BDY-400SIDES** Champ Kart High Side Panels Only (Fits Jr. and Sr.)
(Sold as a Pair; Available in Black or White)
- BDY-420SIDES** Champ Kart Plastic Low Side Panels Only (Fits Jr. and Sr.)
(Sold as a Pair; Available in Black or White)
- BDY-450** Jr. Champ Body Kit (Available in Black or White)
- BDY-450NOSE** Jr. Champ Nose only (Available in Black or White)
- BDY-500** Xlerator II Body (Available in Black, White, Blue, or Gray)
- BDY-500NOSE** Xlerator II Nose (Available in Black, White, Blue, or Gray)
- BDY-500SIDES** Xlerator II Sides (Available in Black, White, Blue, or Gray)
- BDY-600** Chavous Slipstream Body (Available in Black, White, Blue, or Gray)
- BDY-600NOSE** Chavous Slipstream Nose (Available in Black, White, Blue, or Gray)
- BDY-600SIDES** Chavous Slipstream Sides (Available in Black, White, Blue, or Gray)
- BDY-700** Chavous Skyline + Body (Available in Black, White, Blue, or Gray)
- BDY-700NOSE** Chavous Skyline + Nose (Available in Black, White, Blue, or Gray)
- BDY-700SIDES** Chavous Skyline + Sides (Available in Black, White, Blue, or Gray)
- BDY-NM** Rubber Nose Piece Molding with Rivets (Available in Black or White)
- PM-132010** Short 1" High Champ Wing Mount (Each, Unanodized)
- PM-132020** Tall 2" High Champ Wing Mount (Each, Unanodized)
- PM-96-24** 24" Decal Protector Set with Mounting Hardware
- PM-96-26** 26" Decal Protector Set with Mounting Hardware
- PC-6610** Body Assembly Kit (Includes 6 each of the following: #10 screws & nuts, finishing washers & bottom washers)
- PM-FPP** Slack Fiberglass Floor Pan for Elevate, Pursuit & Xpect Chassis
- PM-FPPBK** Bolt Kit for Slack Floor Pan
- PM-FPPREAR** Slack Fiberglass Rear Floor Pan for Elevate Chassis
- PM-FPC** Slack Aluminum Foot Pan for Champ Kart
- PM-125210** Slack Front Floor Pan with Support Wing
- PM-116103** Seat Saver Kit (4 plates & 12 rivets)
- PM-KARTCOVER** Universal Kart Cover
- PM-CHAMPKARTCOVER** Universal Champ Kart Cover
- PM-129001** Chavous Seat (Available in Rookie(8-3/8"), Short Youth(9"), Short Small(10-3/4"), Small(10-1/4"), Medium(12-1/4"), Large(12-3/4"), XL(12-3/8"), & 2XL(14-1/8") (Seat widths are measured at the narrowest part, inside of seat)
- PM-129003** Chavous Pro Series Seat (Available in Youth(9-3/4") Youth Large(10-1/2") Youth X-Large(11"), Medium(12"), Large(12-1/4"), XL(12-3/4")
- PM-129130** Seat Padding (Rookie, Youth-Adult Small, Adult Med-X-Large)



BDY-400



BDY-450



BDY-500



BDY-600



BDY-700



PM-129003



PM-96



PM-129130



PM-129001



DECALS

SLACK DECALS

PM-121055 Axiom Nose Piece Decal

PM-121085 Xpect Nose Piece Decal

PM-121087 Pursuit Nose Piece Decal

PM-121088 Elevate Nose Piece Decal

PM-121130 3" x 5-1/2 Slack Black Body Decal

PM-121131 3" x 5-1/2 Slack White Body Decal

PM-121043 Elevate Frame Decal Kit

(Includes 3 Elevate & 2 Slack Decals)

PM-121042 Pursuit Frame Decal Kit

(Includes 3 Pursuit & 2 Slack Decals)

PM-121035 Xpect Frame Decal Kit

(Includes 3 Xpect & 2 Slack Decals)

PM-121015 Axiom Frame Decal Kit

(Includes 3 Axiom & 2 Slack Decals)

PM-121010 Reactor Frame Decal Kit

(Includes 3 Reactor & 2 Slack Decals)



****More decals available online.***



POLICIES

If you are dissatisfied with your purchase, please return the complete, unused item along with a copy of your invoice, a brief explanation and return address with daytime telephone number to:

PERFORMANCE MANUFACTURING CORPORATION
80 Telegraph Road | Middleport, NY 14105

All returns made within 30 days of invoice date will have no restocking fee. Returns made between 31 and 60 days of invoice date will be subject to a 25% restocking fee. No returns will be accepted after 60 days. Please prepay all shipping charges. No returns sent COD will be accepted. We will credit your credit card, refund your money, or make the exchange as soon as we receive your return.

A \$10.00 service charge will be added to all accounts when a shipment is refused. All refused shipment charges must be paid in full before any future orders can be shipped.

Prices are subject to change without notice and are F.O.B. shipping point (Middleport, NY). Shipping charges are added to quoted prices and appear on your invoice.

There is a \$5.00 drop ship fee.

All parts are guaranteed to be free from defects in material and workmanship for a period of 1 year from date of retail purchase. After inspection, parts returned prepaid to the manufacturer with the original invoice, (required as proof of purchase and date), will be repaired or replaced at our option and returned by UPS Ground prepaid. If you need the parts returned by air service we ask that you pay the difference. Parts returned without the invoice or proof of purchase will be repaired at nominal cost and returned COD. This warranty does not include labor, damage to other parts, or personal injury.

No warranty of fitness for a particular application is made due to the nature of Go-Kart racing. Warranty does NOT include damage due to misuse, neglect, abuse or modification.

All parts manufactured and sold by Performance Manufacturing Corporation are intended for Go-Kart racing application only. Racing is a dangerous sport. Performance Manufacturing Corporation accepts no liability for any loss, injury or death that may occur directly or indirectly from any products we manufacture or sell. The final decision regarding the safety and use of any product is the sole responsibility of the user.

ORDERING INSTRUCTIONS

ONLINE

www.pmckart.com

BY MAIL

Mail a completed order form with payment information to:
Performance Manufacturing Corporation
80 Telegraph Road | Middleport, NY 14105

BY PHONE

Orders are accepted during regular business hours
by calling **716.735.3500**

We accept MasterCard™, Visa™, Discover™, and American Express™
***Please have all product information ready when ordering.**

SLACK APPAREL AND GIFT ITEMS

PM-129200 MPI Black Gloves

SP-130 Winter Pom Hat

SP-010025 Slack Flex Fitted Hat, Black (Y, S/M & L/XL)

SP-010026 Slack Low Profile Trucker Hat

SP-010027 Slack Trucker Hat

SP-010028 Slack Non Structured Hat

SP-030025 Slack Crew Neck T-Shirt

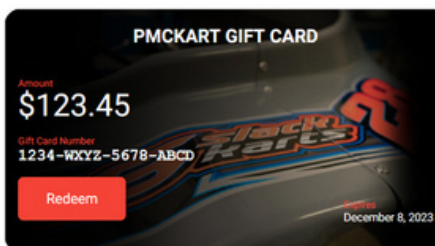
SP-031025 Slack Long Sleeve Shirt

SP-032025 Slack Hooded Sweat Shirt

SP-050023 Slack Driving Jacket

GIFTCARD Available in any amount

**Apparel is Available in Youth Small - Youth Large. Adult Sizes: Small - 3XL*



PM-129200
MPI Gloves



SP-010025
Flex Fit Hat



SP-010026
Low Profile Trucker Hat



SP-010027
Trucker Hat



SP-130
Winter Pom Hat



SP-030025
Slack T-shirt

SP-031025
Slack Long Sleeve shirt



SP-032025
Slack Hoodie



SP-030020
Performance Apparel



SP-050023
Slack Driving Jacket

More apparel and gift items at www.pmckart.com